

### Cantilever Bracket AK 27 - 1,25

Group: 2754

#### Application

Recommended for wall suspension or fixing to other building structures.

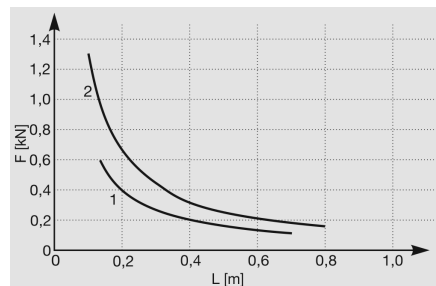
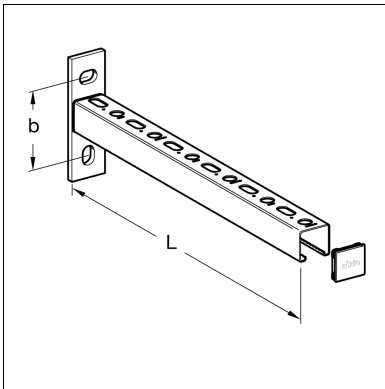
#### Installation

For cantilever projections in excess of 500mm we recommend a vertical brace and for lateral forces on the cantilever, use a lateral brace connected via Fixing Bracket MW S 45/30/90

#### Technical Data

1 = Type 27/25

2 = Type 27/37



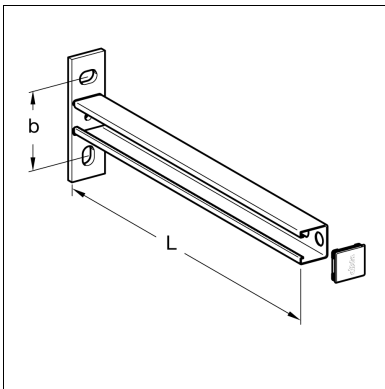
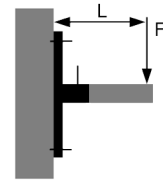
Perm. anchor loads to be considered

$$\sigma_{act.} \leq \sigma_{adm.}$$

$$f_{adm.} \leq L/150$$

Max. torsional moment  $Mt_{max}$  without considering the torsional angle

$$Mt_{max} = 20 \text{ Nm}$$



Material: Steel, electro-galvanised

Type	L [mm]	b [mm]	Dimensions of elongated hole [mm]	W [kg]	Quantity [pack]	Part number
27/25 - 200	203	64	10 x 15	0.25	25	<b>112326</b>
27/25 - 250	253	64	10 x 15	0.29	25	<b>112327</b>
27/25 - 300	303	64	10 x 15	0.34	25	<b>112328</b>
27/25 - 500	503	64	10 x 15	0.49	25	<b>112329</b>
27/25 - 700	703	64	10 x 15	0.65	1	<b>112330</b>
27/25 q - 300	303	64	10 x 15	0.34	25	<b>112366</b>
27/37 - 300	304	64	10 x 15	0.43	25	<b>111458</b>
27/37 - 500	504	64	10 x 15	0.64	25	<b>111459</b>
27/37 - 700	704	64	10 x 15	0.84	1	<b>111460</b>
27/37 - 800	804	64	10 x 15	0.96	1	<b>111461</b>

