

Mounting Plate GPL HCP

Group: 1827

Application

Element for fixation to wall, ceiling and floor for installations in M&E services.

Technical Data

Permissible anchor values may restrict the application.

Version / Type	Tension [kN]	Perm. bending moment* [Nm]	Max. lever arm [mm]	Welding method
Stabil M10	4.0	17.2	200	R
Stabil M12	4.0	29.6	300	R
Stabil M16	8.5	70.3	300	M
Stabil R 1/2"	8.5	95.0	350	M

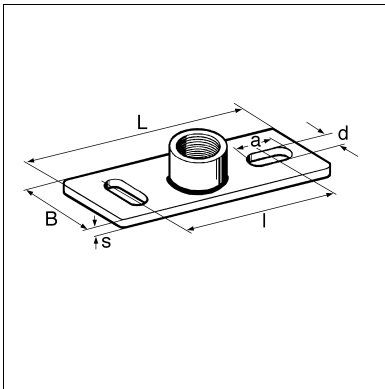
R = resistance welding

M = fusion welding

* Limitation due to the Mounting Plate or the load capacity of the Threaded Stud or the Threaded Tube.

$$\sigma_{perm} \leq 160 \text{ N/mm}^2 \quad f_{perm} < 5 \text{ mm}$$

Material: Steel, HCP



Type	Dimension L x W x Th [mm]	Elongated hole d x a [mm]	Centre distance l [mm]	W [kg]	Quantity [pack]	Part number
Stabil M10	120 x 40 x 4	11 x 25	80	0.15	50	112684
Stabil M12	120 x 40 x 4	11 x 25	80	0.16	50	112685
Stabil M16	120 x 40 x 5	11 x 25	80	0.20	50	112686
Stabil 1/2"	120 x 40 x 5	11 x 25	80	0.21	50	112683

