

Roof Hook DH fix CRO

Group: E401

Application

Roof Hook for standard tiles and roof batten thickness 24 resp. 30 mm. To provide a simple direct fixing of Channel 41 to the roof by means of one Self Forming Screw FLS or of Channel ALU 27/42 by means of Beam Clamps P0 ALU and Flange Screws SCR FLA TT.

Installation

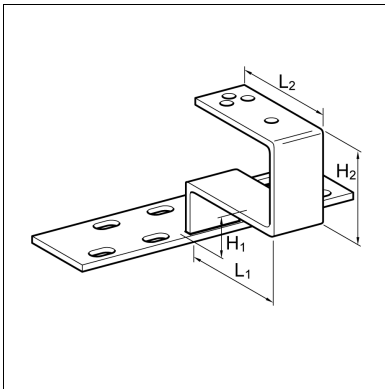
1. Remove roof tiles.
2. Position the hook where the trough of the tile was located. Position the base plate of the Roof Hook in full contact with the rafter. If needed auxiliary battens should be used for roof fixing.
3. Fix the Roof Hook with two Hexagon Wood Screws FLAH 10 x 100.
4. Clear removed tiles from the respective area and put them back to their original position.
5. Fix the Channel 41 onto the Roof Hook through the slotted rear face of the profile with one Self Forming Screw FLS. For connection with Channel ALU 27/42 tighten the Roof Hook by means of two Beam Clamps P0 ALU TT and two Flange Screws SCR FLA TT M10 x 25. For roof structures > 50 mm the Roof Hook could be shimed.

In order to preserve the balanced loading of the roof we recommend this application to all rafters.

Technical Data

Max. perm. load:: $F_z = 2,5 \text{ kN}$, $F_q = 1,25 \text{ kN}$

Material: Steel, HCP



Type	H ₁ [mm]	H ₂ [mm]	L ₁ [mm]	L ₂ [mm]	W [kg]	Quantity [pack]	Part number
DH fix CRO-45/8	45	80	105	104	1.14	1	112151

