

Octagonal Coupling PK F 80 HCP

Application

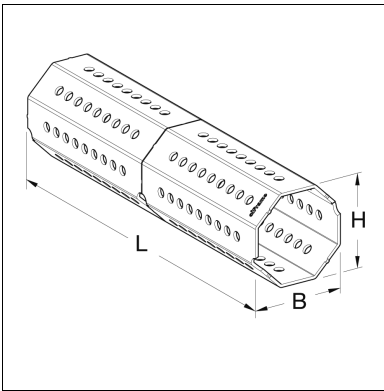
Internal splice connecting element for TP F 80 Beam Section, particularly suitable for vertical extension. Should the component be used for horizontal application, the bending moment needs to be considered. This particular connection element allows rotation of the siFramo Beam Section TP F 80 by 45°.

Installation

To be fastened with 2 x 4 FLS F Self Forming Screws. For optimal bending moment, distance between screws to be as far from each other as possible.

Notice:

Self Forming Screw FLS F to be fastened on two sides with a distance of minimum of 50 mm and to be fastened symmetrically. To optimise the bending moment the FLS F should be installed to maintain the pipe weight of the effective flow - i.e. screws are located top and bottom for horizontal cross bars not sideways.



Technical Data

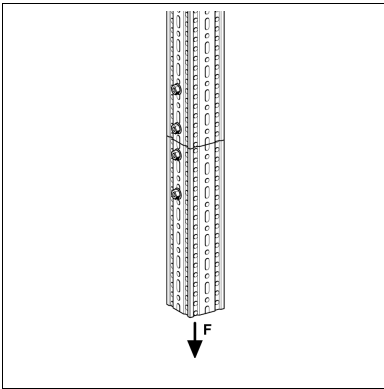
Type	L [mm]	H [mm]	B [mm]	F _{max} [kN]	Mb _{max} [kNm]
PK F 80 8kt	280	72,5	72,5	10,0	0,25

Material: Steel, HCP

Approvals / Conformity



NEPD-4539-3797-EN



Type	H [mm]	L [mm]	W [kg]	Quantity [pack]	Part number
PK F 80 8kt	73	280	1.4	1	111446

