

Square Coupling PK F 80 HCP

Application

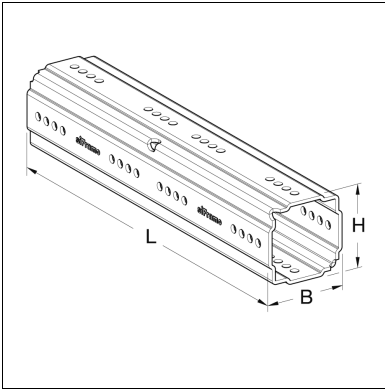
Internal splice connecting element for Beam Section TP F 80, particularly suitable for vertical extension. Should the component be used for horizontal application, the bending moment needs to be considered.

Installation

To be fastened with 2 x 4 FLS F Self Forming Screws. For optimal bending moment, distance between screws to be as far from each other as possible.

Notice:

Self Forming Screw FLS F to be fastened on two sides with a distance of minimum of 100mm and to be fastened symmetrically. To optimise the bending moment the FLS F should be installed to maintain the pipe weight of the effective flow - i.e. screws are located top and bottom for horizontal cross bars not sideways.



Technical Data

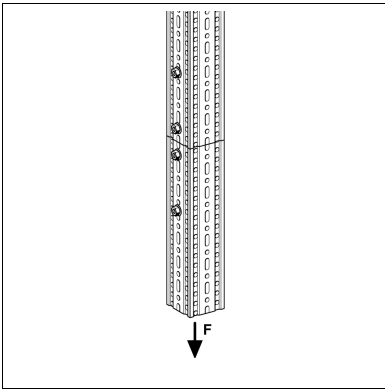
Type	L [mm]	H [mm]	B [mm]	F _{max} [kN]	Mb _{max} [kNm]
PK F 80 4kt	382	73	73	10.0	0.5

Material: Steel, HCP

Approvals / Conformity



NEPD-4539-3797-EN



Type	W [kg]	Quantity [pack]	Part number
PK F 80 4kt	2.1	1	111445

