

Pipe Shoe LD - HV

Application

Pipe Shoe - Dual Base for pipes on suitable surfaces. Height-adjustable in steps of 2.5 mm. When resting on steel beams, a minimum flange width of 80 mm is recommended.

Scope of delivery

The upper part and the two lower parts are bolted together allowing height adjustment. The slide plates are fixed to the lower parts. In order to reduce the spacings of the lugs the pipe clamps from DN 300 are rotated by 45° (see illustration).

Installation

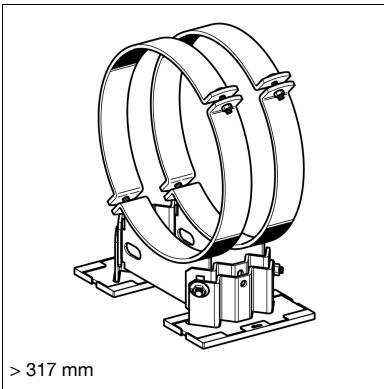
To guarantee that both sliding plates rest correctly, both webs must be adjusted to exactly the same height.

Technical Data

Type	Height H as delivered [mm]	Height H range [mm]	B [mm] DN 200 - 300	B [mm] DN 350 - 600
LD - HV 90	90	88.5 ... 113.5	285	325
LD - HV 150	150	116 ... 168.5	285	325
LD - HV 200	200	171 ... 223.5	285	325

Tightening torque screw connections:

Clamping bolts	tightening torque [Nm]	height adjustment	tightening torque [Nm]
DN 200	50	bolts in the bar	80
DN 250 - 600	60	bolts in the bar	80

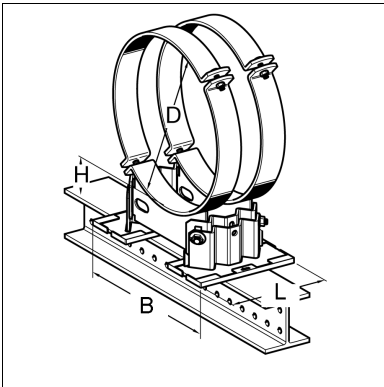


Dimensions:

Metal plate: L = 250 mm
 Slide plate incl.: L = 256 mm

Material:

Metal parts: Steel, HCP
 Bolts, Nuts: Steel, HCP
 Slide plate: Polyamide 6.0, glass fibre reinforced, black
 Temperature range slide plate: -20°C to +130°C
 Media temperature t_f: -20°C to +300°C (if t_f > 270°C, remove slide plate)



Approvals / Conformity



NEPD-4539-3796-EN

Further clamping ranges listed in the attached "PDF-Overview" all pipe shoes.
Note: Pipe shoes HV 200 and outside the DN range - minimum quantity and delivery time on request.

Type	D (pipe) [mm]	W [kg]	Quantity [pack]	Part number
LD - HV 90 215-221 (DN 200) 8"	215 - 221	11.9	1	112398
LD - HV 90 266-273 (DN 250) 10"	266 - 273	14.5	1	112399
LD - HV 90 317-324 (DN 300) 12"	317 - 324	15.7	1	112400
LD - HV 90 349-356 (DN 350) 14"	349 - 356	16.6	1	110098
LD - HV 90 397-407 (DN 400) 16"	397 - 407	19.0	1	110099
LD - HV 90 498-508 (DN 500) 20"	498 - 508	22.4	1	110100
LD - HV 90 600-610 (DN 600) 24"	600 - 610	25.1	1	110101
LD - HV 150 215-221 (DN 200) 8"	215 - 221	13.2	1	112401
LD - HV 150 266-273 (DN 250) 10"	266 - 273	15.9	1	112402
LD - HV 150 317-324 (DN 300) 12"	317 - 324	17.0	1	112403
LD - HV 150 349-356 (DN 350) 14"	349 - 356	18.1	1	110102
LD - HV 150 397-407 (DN 400) 16"	397 - 407	20.4	1	110103
LD - HV 150 498-508 (DN 500) 20"	498 - 508	24.1	1	110104
LD - HV 150 600-610 (DN 600) 24"	600 - 610	26.4	1	110105
LD - HV 200 215-221 (DN 200) 8"	215 - 221	14.3	1	112404
LD - HV 200 266-273 (DN 250) 10"	266 - 273	16.9	1	112405
LD - HV 200 317-324 (DN 300) 12"	317 - 324	18.0	1	112406
LD - HV 200 349-356 (DN 350) 14"	349 - 356	19.0	1	110106
LD - HV 200 397-407 (DN 400) 16"	397 - 407	21.4	1	110107
LD - HV 200 498-508 (DN 500) 20"	498 - 508	24.8	1	110108
LD - HV 200 600-610 (DN 600) 24"	600 - 610	27.5	1	110109