

Pipe Shoe LC - HV

Application

Pipe Shoe - Double Clamp or pipes on suitable surfaces. Height-adjustable in steps of 2.5 mm. When resting on steel beams, a minimum flange width of 80 mm is recommended.

Scope of delivery

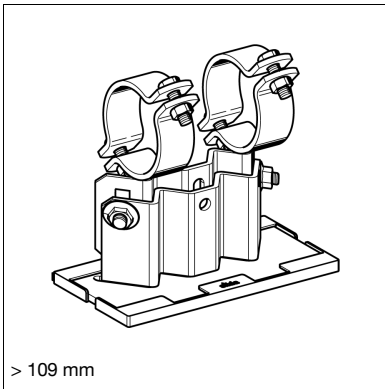
Upper and lower part are bolted together allowing height adjustment. The slide plate is fixed to the lower part.

Technical Data

Type	Height H as delivered [mm]	Height H range [mm]
LC - HV 90	90	88.5 ... 113.5
LC - HV 150	150	116 ... 168.5
LC - HV 200	200	171 ... 223.5

Tightening torque screw connections:

Clamping bolts	tightening torque [Nm]	height adjustment	tightening torque [Nm]
DN 15 - 40	40	bolts in the bar	80
DN 50 - 200	50	bolts in the bar	80
DN 250 - 300	60	bolts in the bar	80



Dimensions:

Metal plate:

L = 250 mm x B = 100 mm

Slide plate incl.:

L = 256 mm x B = 105 mm

Material:

Metal parts:

Steel, HCP

Bolts, Nuts:

Steel, HCP

Slide plate:

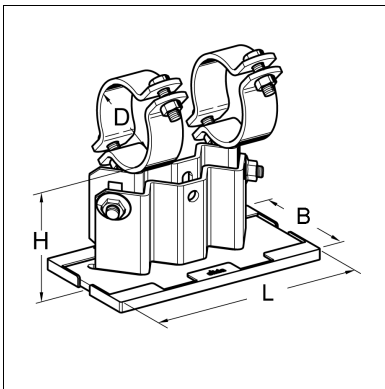
Polyamide 6.0, glass fibre reinforced, black

Temperature range slide plate::

-20°C to +130°C

Media temperature t_f :

-20°C to +300° C (if $t_f > 270^\circ\text{C}$, remove slide plate)



Approvals / Conformity



Regular
Production
Surveillance



www.tuv.com
ID 0000080821



NEPD-4539-3796-EN

Further clamping ranges listed in the attached "PDF-Overview" all pipe shoes.

Note: Pipe shoes HV 200 and outside the DN range - minimum quantity and delivery time on request.

Type	D (pipe) [mm]	W [kg]	Quantity [pack]	Part number
LC - HV 90 18-22 (DN 15) 1/2"	18 - 22	3.5	1	112392
LC - HV 90 23-27 (DN 20) 3/4"	23 - 27	3.5	1	112393
LC - HV 90 30-34 (DN 25) 1"	30 - 34	3.6	1	110062
LC - HV 90 40-44 (DN 32) 1 1/4"	40 - 44	3.7	1	110063
LC - HV 90 45-49 (DN 40) 1 1/2"	45 - 49	3.7	1	110064
LC - HV 90 57-61 (DN 50) 2"	57 - 61	4.1	1	110065
LC - HV 90 72-77 (DN 65) 2 1/2"	72 - 77	4.3	1	110066
LC - HV 90 84-89 (DN 80) 3"	84 - 89	4.4	1	110067
LC - HV 90 109-115 (DN 100) 4"	109 - 115	5.1	1	110068
LC - HV 90 134-140 (DN 125) 5"	134 - 140	5.4	1	110069
LC - HV 90 163-169 (DN 150) 6"	163 - 169	7.1	1	110070
LC - HV 90 215-221 (DN 200) 8"	215 - 221	8.3	1	110071
LC - HV 90 266-273 (DN 250) 10"	266 - 273	11.1	1	110072
LC - HV 90 317-324 (DN 300) 12"	317 - 324	12.0	1	110073
LC - HV 150 18-22 (DN 15) 1/2"	18 - 22	4.0	1	112394
LC - HV 150 23-27 (DN 20) 3/4"	23 - 27	4.0	1	112395
LC - HV 150 30-34 (DN 25) 1"	30 - 34	4.0	1	110074
LC - HV 150 40-44 (DN 32) 1 1/4"	40 - 44	4.1	1	110075
LC - HV 150 45-49 (DN 40) 1 1/2"	45 - 49	4.2	1	110076
LC - HV 150 57-61 (DN 50) 2"	57 - 61	4.6	1	110077
LC - HV 150 72-77 (DN 65) 2 1/2"	72 - 77	4.8	1	110078
LC - HV 150 84-89 (DN 80) 3"	84 - 89	4.9	1	110079
LC - HV 150 109-115 (DN 100) 4"	109 - 115	5.5	1	110080
LC - HV 150 134-140 (DN 125) 5"	134 - 140	5.8	1	110081
LC - HV 150 163-169 (DN 150) 6"	163 - 169	7.8	1	110082
LC - HV 150 215-221 (DN 200) 8"	215 - 221	8.8	1	110083
LC - HV 150 266-273 (DN 250) 10"	266 - 273	9.6	1	110084
LC - HV 150 317-324 (DN 300) 12"	317 - 324	12.3	1	110085
LC - HV 200 18-22 (DN 15) 1/2"	18 - 22	4.5	1	112396
LC - HV 200 23-27 (DN 20) 3/4"	23 - 27	4.5	1	112397
LC - HV 200 30-34 (DN 25) 1"	30 - 34	4.6	1	110086
LC - HV 200 40-44 (DN 32) 1 1/4"	40 - 44	4.9	1	110087
LC - HV 200 45-49 (DN 40) 1 1/2"	45 - 49	4.9	1	110088
LC - HV 200 57-61 (DN 50) 2"	57 - 61	5.2	1	110089
LC - HV 200 72-77 (DN 65) 2 1/2"	72 - 77	5.3	1	110090
LC - HV 200 84-89 (DN 80) 3"	84 - 89	5.4	1	110091
LC - HV 200 109-115 (DN 100) 4"	109 - 115	6.1	1	110092
LC - HV 200 134-140 (DN 125) 5"	134 - 140	6.2	1	110093
LC - HV 200 163-169 (DN 150) 6"	163 - 169	8.4	1	110094
LC - HV 200 215-221 (DN 200) 8"	215 - 221	9.5	1	110095
LC - HV 200 266-273 (DN 250) 10"	266 - 273	12.0	1	110096
LC - HV 200 317-324 (DN 300) 12"	317 - 324	13.0	1	110097