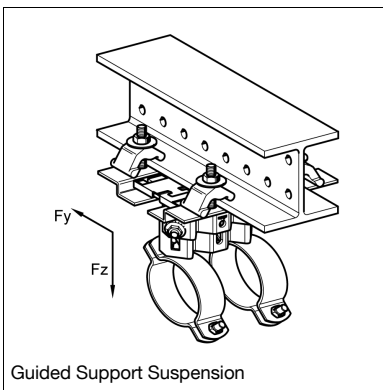


Working loads for Supports with insulation insert and suspension

Basis of assessment EC 3, working loads for Supports in delivery status

Sliding Supports LK - HV + Guiding Set FS 80/120

Height	D _{max}	F _y [kN]	± F _z [kN]
150	25	3.1	3.1
150	32	3.8	3.8
150	40	4.3	4.3
150	50	4.0	3.9
150	65	2.8	2.8
150	80	2.5	2.4
150	100	4.5	14.0
150	125	4.1	14.0
150	150	3.6	14.0
150	200	2.8	14.0
150	250	1.9	14.0
150	300	0.4	14.0



Sliding Supports LA / LC / LD - HV + Guiding Set FS Z 80/120

Height	D _{max}	F _y [kN]	± F _z [kN]
90	18	4.7	10.0
90	22	4.7	10.0
90	27	4.7	10.0
90	30	4.7	10.0
90	34	4.7	10.0
90	39	4.7	10.0
90	44	4.7	10.0
90	49	4.6	10.0
90	54	4.5	10.0
90	59	4.5	10.0
90	61	4.5	10.0
90	66	4.4	10.0
90	71	4.3	10.0
90	77	4.3	10.0
90	83	4.2	10.0
90	89	4.1	10.0
90	95	4.1	10.0
90	102	4.0	10.0
90	109	3.9	10.0
90	115	3.8	10.0
90	122	3.8	10.0
90	128	3.7	10.0
90	134	3.6	10.0
90	140	3.5	10.0
90	146	3.5	10.0
90	152	3.4	10.0
90	158	3.3	10.0
90	163	3.3	10.0
90	169	3.2	10.0
90	174	3.2	10.0
90	180	3.1	10.0
90	187	3.0	10.0
90	194	2.9	10.0
90	200	2.9	10.0
90	207	2.8	10.0
90	214	2.7	10.0
90	221	2.6	10.0
90	229	2.5	10.0
90	237	2.4	10.0
90	245	2.3	10.0
90	254	2.2	10.0
90	262	2.1	10.0
90	266	2.1	10.0
90	273	2.0	10.0
90	282	1.9	10.0
90	291	1.8	10.0
90	300	1.7	10.0
90	309	1.6	10.0
90	317	1.5	10.0
90	324	1.4	10.0

Height	D _{max}	F _y [kN]	± F _z [kN]
150	18	3.3	10.0
150	22	3.2	10.0
150	27	3.2	10.0
150	30	3.2	10.0
150	34	3.1	10.0
150	39	3.1	10.0
150	44	3.1	10.0
150	49	3.1	10.0
150	54	3.0	10.0
150	59	3.0	10.0
150	61	3.0	10.0
150	66	2.9	10.0
150	71	2.9	10.0
150	77	2.9	10.0
150	83	2.8	10.0
150	89	2.8	10.0
150	95	2.8	10.0
150	102	2.7	10.0
150	109	2.7	10.0
150	115	2.6	10.0
150	122	2.6	10.0
150	128	2.6	10.0
150	134	2.5	10.0
150	140	2.5	10.0
150	146	2.4	10.0
150	152	2.4	10.0
150	158	2.4	10.0
150	163	2.3	10.0
150	169	2.3	10.0
150	174	2.3	10.0
150	180	2.2	10.0
150	187	2.2	10.0
150	194	2.1	10.0
150	200	2.1	10.0
150	207	2.1	10.0
150	214	2.0	10.0
150	221	2.0	10.0
150	229	1.9	10.0
150	237	1.9	10.0
150	245	1.8	10.0
150	254	1.8	10.0
150	262	1.7	10.0
150	266	1.7	10.0
150	273	1.6	10.0
150	282	1.6	10.0
150	291	1.5	10.0
150	300	1.5	10.0
150	309	1.4	10.0
150	317	1.4	10.0
150	324	1.3	10.0

Height	D _{max}	F _y [kN]	± F _z [kN]
200	18	2.5	10.0
200	22	2.5	10.0
200	27	2.5	10.0
200	30	2.5	10.0
200	34	2.5	10.0
200	39	2.4	10.0
200	44	2.4	10.0
200	49	2.4	10.0
200	54	2.4	10.0
200	59	2.3	10.0
200	61	2.3	10.0
200	66	2.3	10.0
200	71	2.3	10.0
200	77	2.3	10.0
200	83	2.2	10.0
200	89	2.2	10.0
200	95	2.2	10.0
200	102	2.2	10.0
200	109	2.1	10.0
200	115	2.1	10.0
200	122	2.1	10.0
200	128	2.0	10.0
200	134	2.0	10.0
200	140	2.0	10.0
200	146	2.0	10.0
200	152	1.9	10.0
200	158	1.9	10.0
200	163	1.9	10.0
200	169	1.9	10.0
200	174	1.9	10.0
200	180	1.8	10.0
200	187	1.8	10.0
200	194	1.8	10.0
200	200	1.7	10.0
200	207	1.7	10.0
200	214	1.7	10.0
200	221	1.6	10.0
200	229	1.6	10.0
200	237	1.6	10.0
200	245	1.5	10.0
200	254	1.5	10.0
200	262	1.5	10.0
200	266	1.5	10.0
200	273	1.4	10.0
200	282	1.4	10.0
200	291	1.3	10.0
200	300	1.3	10.0
200	309	1.3	10.0
200	317	1.2	10.0
200	324	1.2	10.0