

Welding Adapter ASA F 80 GPL Square

Group: A428

Application

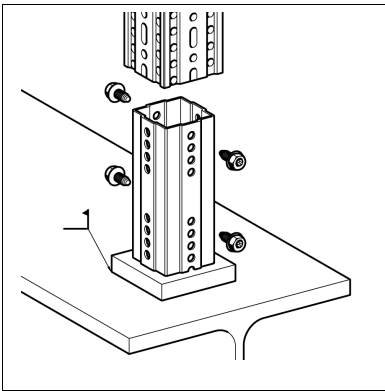
Welding plate with square insert to receive siFramo section. May be implemented into the structural steel design in anticipation of siFramo-frames or used in situ as a connection element when clamping is not an option but hot works are permitted.

Scope of delivery

Mounting Plate 80 with welded on square joint.

Installation

The welding plate of the ASA can be welded directly without previous treatment due to a corrosion-resistant weld-thru coating which is compatible with both the HDG surface of the siFramo section and the health and safety requirements of the welding process. Once the ASA adapter has been connected, the coating may also receive paint without previous treatment. The siFramo section must be connected to the Welding Adapter ASA with 4 x Self Forming Screw FLS.



Technical Data

Type	Adapter size H [mm]	Mounting Plate size [mm]
ASA F 80 GPL 4kt	210	100 x 100 x 20

Material: Steel, HCP

Approvals / Conformity

CE mark (Declaration of performance see www.sikla.com/downloads)

Type	W [kg]	Quantity [pack]	Part number
ASA F 80 GPL 4kt	2.4	1	111741