

Adapter NT CC 41 DIN 3015 ss

Group: 1714

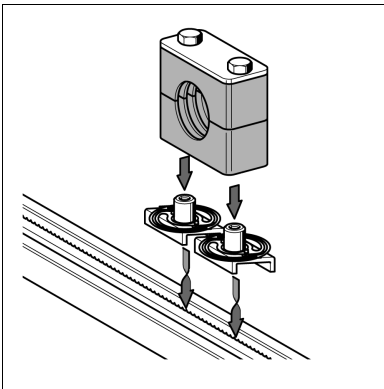
Application

For efficient assembly of fastening clamps DIN 3015 (light and heavy series) to Channels MS 41. Particularly useable for assembly in vertical channels or positions difficult to access, this piece replaces the "3rd hand" and offers following further advantages:

- ◆ Compatible with all Sikla Channels MS 41, regardless of the channel's height.
- ◆ No getting stuck of screw heads while moving inside the channel.
- ◆ Plane fixation without projecting after tightening.

Scope of delivery

Channel nut, spring and thread connection pre-assembled.



Installation

After inserting the Adapter NT CC 41 into the channel opening, slightly press on the thread connection. The piece automatically turns into position. Position the fastening clamp and tighten the screws.

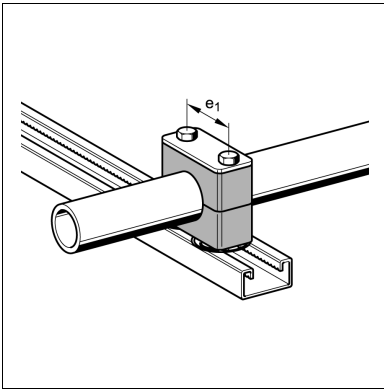
Neither assembly nor removal require a tool and are repeatable as much as is necessary.

Technical Data

Material:

Channel nut, thread connection: Stainless steel (A4)

Spring washer: Spring steel sheet, rustproof



Pipe clamps DIN 3015-1 (series A, light model range)

Clamp size	Pipe outer-dia. [mm]	Connection with	e ₁
0	6 up to 12	1 x Adapter NT CC 41 M6	
1	6 up to 12	2 x Speed Nut NT CC 41 M6	20 ¹⁾
2	12.7 up to 18	2 x Speed Nut NT CC 41 M6	26 ¹⁾
3	19 up to 25	2 x Speed Nut NT CC 41 M6	33 ¹⁾
4	26.9 up to 30	2 x Adapter NT CC 41 M6	40
5	32 up to 42	2 x Adapter NT CC 41 M6	52
6	44.5 up to 57	2 x Adapter NT CC 41 M6	66
7	57.2 up to 76.1	2 x Adapter NT CC 41 M6	94
8	88.9 up to 101.8	2 x Adapter NT CC 41 M6	120

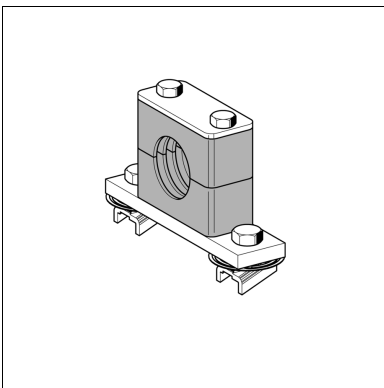
Pipe clamps DIN 3015-2 (series C, heavy-load model range)

Pipe size	Pipe outer dia. [mm]	Connection with	e ₁
1	6 up to 18	2 x Speed Nut NT CC 41 M10	33 ¹⁾
2	19 up to 30	2 x Adapter NT CC 41 M10	45
3	30 up to 42	2 x Adapter NT CC 41 M10	60
4	38 up to 70	2 x Adapter NT CC 41 M12	90

¹⁾ For these hole distances the screwing plate of the clamp - see image 4 as well as each two Hexagon Bolts and Speed Nuts NT CC 41 are required.

Pipe clamps DIN 3015-3 (series B, double model range)

Pipe size	Pipe outer dia. [mm]	Connection with
1	6 up to 12	1 x Adapter NT CC 41 M6
2	12.7 up to 18	1 x Adapter NT CC 41 M8
3	19 up to 25	1 x Adapter NT CC 41 M8
4	26.9 up to 30	1 x Adapter NT CC 41 M8
5	32 up to 42	1 x Adapter NT CC 41 M8



Type	W [kg]	Quantity [pack]	Part number
M6	0.04	100	110008
M8	0.04	100	110017
M10	0.04	100	110009
M12	0.07	100	110010