

Please complete as much information as possible.  
 You'll save ourselves unnecessary call backs while speeding up the  
 process and tender preparation. Thank You!

Date of enquiry:

Target issue date:

Customer's name:  Phone/Fax:   
 Contact:  Email:   
 Address:  ZIP / Town:

**Project information:**

Project reference:   
 Country + ZIP code:  Town:

**PV modules (panels):**

Manufacturer:  Type:

Width b [mm]:  Height h [mm]:  Thickness t [mm]:

Weight [kg]:

Please hand in a technical information sheet of the module!

Quantity [pcs.]:  Capacity [Watt]:

Arrangement:  Landscape:  Portrait:

**Construction's features:**

$\alpha$  [°]:

$H_{uk}$  [mm]:

h [mm]:

**If arranged as „tables“:**

Quantity of modules [pcs.]:

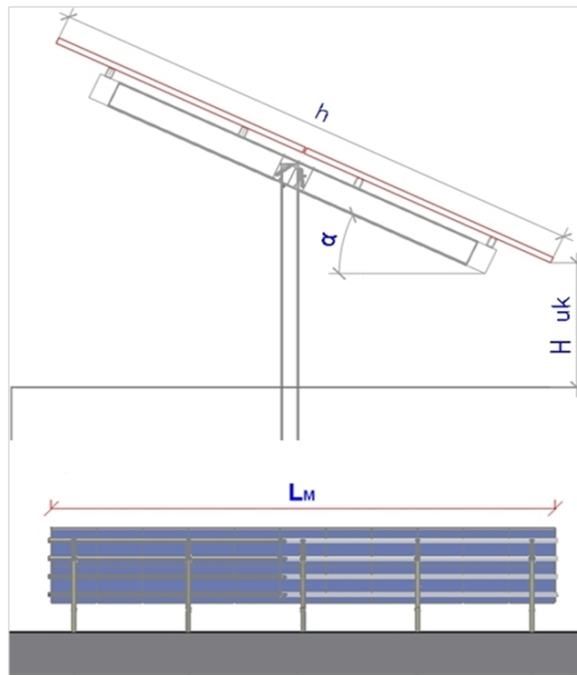
$L_M$  [mm]:

OR

**If arranged as complete „rows“:**

Quantity of modules [pcs.]:

Please hand in a plan of module's organization!



**Building site's conditions:**

Flat terrain:

Exposed position:



Cliffs



Slope position, hills, etc.

If the site's position is exposed, it is required to take into account the topographical influence on the increasing wind speed when computing the system's static calculation.  
 Based on an **expert's analysis** concerning local **wind speed** conditions, it can be expected to achieve a lower load level compared to the standard level.

## Enquiry form open space PV-project

### Foundation:

Driven pile:  Cast-in:  Concrete foundation:

### Geological conditions:

Natural soil:  Built-up soil:  Disposal site:

Conversion area:  Geological survey available:

### Additional requirements:

Standards/norms:

Guarantee certificate:

Static calculation:  Verifiable static calculation needed:

Liability for Defects [years]:

### Corrosion protection:

Normal:

### Specific conditions:

Proximity of the sea:  Salty atmosphere  
Corrosive elements:  e.g. nitric atmosphere / Saltpetre

Abrasive elements:  e.g. sand

### Project documents available:

Plan of modules' organization:

Specifications:

Geodesic measurements:  Necessary if building site is exposed!

Our sales and engineering staff are always available to you to complete the form.

**Thomas Komposch**  
Project Management Export  
Solar Mounting System  
Phone +49 77 20 948-454  
Email: [tkomposch@sikla.de](mailto:tkomposch@sikla.de)

Send enquiry by Email

Reset form