

Approval body for construction products
and types of construction

Bautechnisches Prüfamt

An institution established by the Federal and
Laender Governments



European Technical Assessment

ETA-10/0259
of 10 January 2023

English translation prepared by DIBt - Original version in German language

General Part

Technical Assessment Body issuing the
European Technical Assessment:

Deutsches Institut für Bautechnik

Trade name of the construction product

SIKLA Wedge Anchor AN BZ plus and AN BZ-IG

Product family
to which the construction product belongs

Mechanical fastener for use in concrete

Manufacturer

Sikla Holding GmbH
Ägydiplatz 3
A-4600 THALHEIM BEI WELS
ÖSTERREICH

Manufacturing plant

Sikla Herstellwerk 1

This European Technical Assessment
contains

36 pages including 3 annexes which form an integral part
of this assessment

This European Technical Assessment is
issued in accordance with Regulation (EU)
No 305/2011, on the basis of

EAD 330232-01-0601, Edition 05/2021

This version replaces

ETA-10/0259 issued on 9 June 2017

The European Technical Assessment is issued by the Technical Assessment Body in its official language. Translations of this European Technical Assessment in other languages shall fully correspond to the original issued document and shall be identified as such.

Communication of this European Technical Assessment, including transmission by electronic means, shall be in full. However, partial reproduction may only be made with the written consent of the issuing Technical Assessment Body. Any partial reproduction shall be identified as such.

This European Technical Assessment may be withdrawn by the issuing Technical Assessment Body, in particular pursuant to information by the Commission in accordance with Article 25(3) of Regulation (EU) No 305/2011.

Specific Part

1 Technical description of the product

The SIKLA Wedge Anchor AN BZ and AN BZ-IG is a fastener made of zinc plated steel, stainless steel or high corrosion resistant steel which is placed into a drilled hole and anchored by torque-controlled expansion. The following fastener types are covered:

- Anchor type AN BZ with external thread, washer and hexagon nut, sizes M8 to M27,
- Anchor type AN BZ-IG S with internal thread, hexagon head nut and washer S-IG, sizes M6 to M12,
- Anchor type AN BZ-IG SK with internal thread, countersunk head screw and countersunk washer SK-IG, sizes M6 to M12,
- Anchor type AN BZ-IG B with internal thread, hexagon nut and washer MU-IG, sizes M6 to M12.

The product description is given in Annex A.

2 Specification of the intended use in accordance with the applicable European Assessment Document

The performances given in Section 3 are only valid if the fastener is used in compliance with the specifications and conditions given in Annex B.

The verifications and assessment methods on which this European Technical Assessment is based lead to the assumption of a working life of the fastener of at least 50 years. The indications given on the working life cannot be interpreted as a guarantee given by the producer, but are to be regarded only as a means for choosing the right products in relation to the expected economically reasonable working life of the works.

3 Performance of the product and references to the methods used for its assessment

3.1 Mechanical resistance and stability (BWR 1)

Essential characteristic	Performance
Characteristic resistance to tension load (static and quasi-static loading)	AN BZ see Annex B4, B5, C1 to C4 AN BZ-IG see Annex B8, C11 and C12
Characteristic resistance to shear load (static and quasi-static loading)	AN BZ see Annex C5 AN BZ-IG see Annex C13
Displacements (static and quasi-static loading)	AN BZ see Annex C9 and C10 AN BZ-IG see Annex C15
Characteristic resistance and displacements for seismic performance categories C1 and C2	AN BZ see Annex C6, C9 and C10 AN BZ-IG No performance assessed

3.2 Safety in case of fire (BWR 2)

Essential characteristic	Performance
Reaction to fire	Class A1
Resistance to fire	AN BZ see Annex C7 and C8 AN BZ-IG see Annex C14

3.3 Aspects of durability

Essential characteristic	Performance
Durability	See Annex B1

4 Assessment and verification of constancy of performance (AVCP) system applied, with reference to its legal base

In accordance with the European Assessment Document EAD 330232-01-0601 the applicable European legal act is: [96/582/EC].

The system to be applied is: 1

5 Technical details necessary for the implementation of the AVCP system, as provided for in the applicable European Assessment Document

Technical details necessary for the implementation of the AVCP system are laid down in the control plan deposited with Deutsches Institut für Bautechnik.

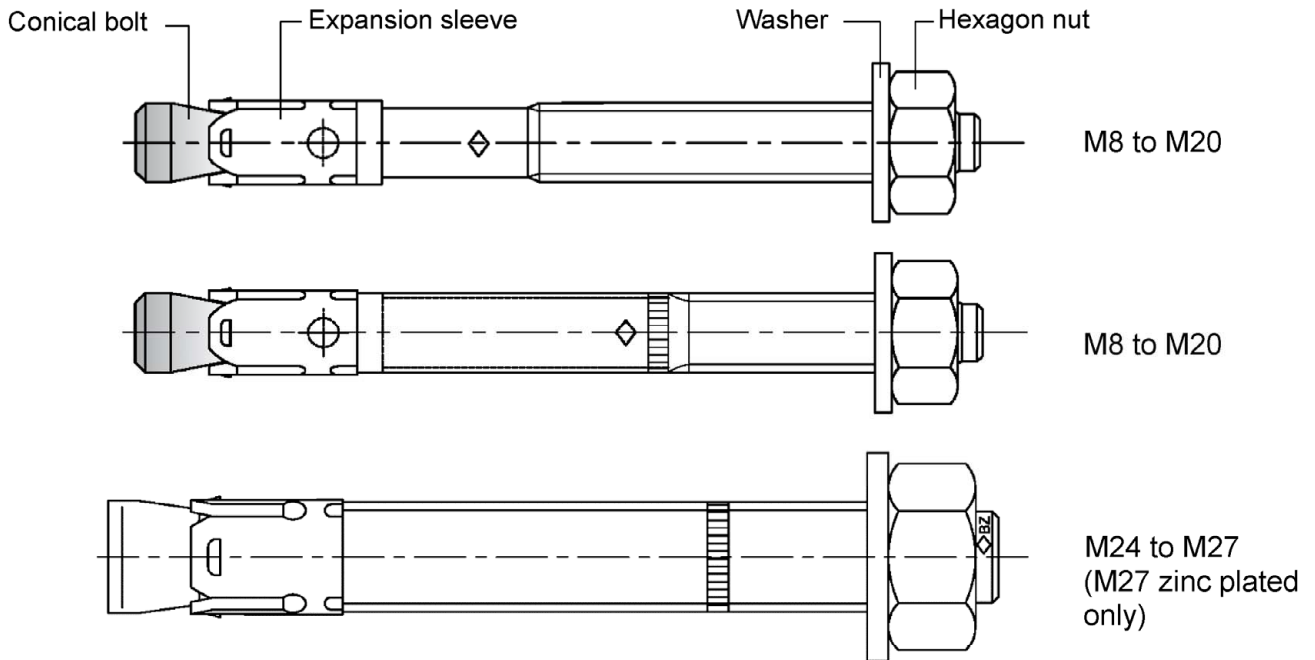
Issued in Berlin on 10 January 2023 by Deutsches Institut für Bautechnik

Dipl.-Ing. Beatrix Wittstock
Head of Section

beglaubigt:
Baderschneider

Fastener version	Product description	Intended use	Performance
AN BZ plus	Annex A1 - Annex A4	Annex B1 – Annex B7	Annex C1 – Annex C10
AN BZ-IG	Annex A1 Annex A5 – Annex A7	Annex B1 – Annex B2 Annex B8 – Annex B10	Annex C11 – Annex C15

SIKLA Wedge anchor AN BZ plus



SIKLA Wedge anchor AN BZ-IG M6 to M12

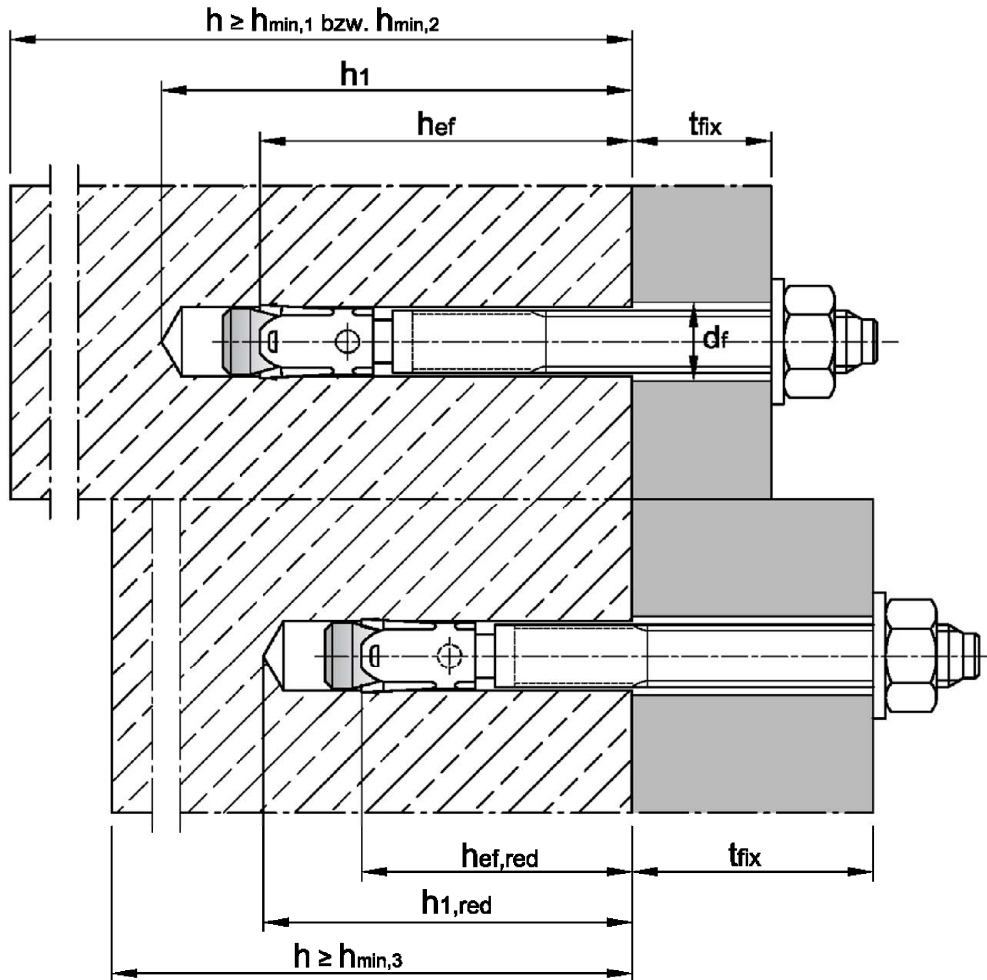
Fastener system			
AN BZ-IG S		Washer	Hexagon head screw
AN BZ-IG SK	Conical bolt	Countersunk washer	Countersunk head screw
AN BZ-IG B	Expansion sleeve	Washer Hexagon nut	Commerical standard rod

SIKLA Wedge Anchor AN BZ plus and AN BZ-IG

Product description
Fastener types

Annex A1

Intended use Wedge Anchor AN BZ plus



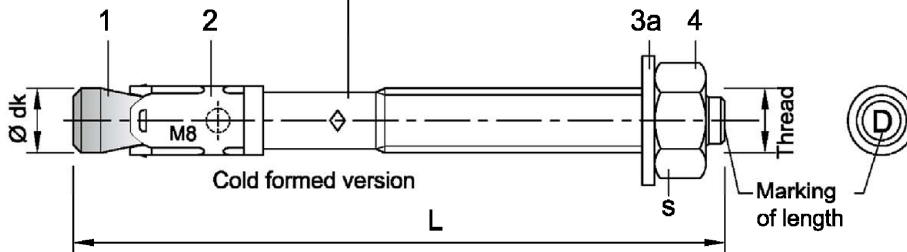
SIKLA Wedge Anchor AN BZ plus

Product description
Installation situation AN BZ plus

Annex A2

Fastener size AN BZ plus M8 to M20:

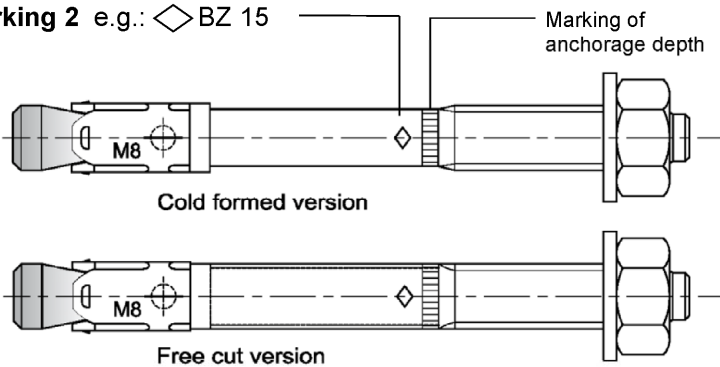
Marking 1 e.g.: \diamond BZ 15/35



Marking 1 e.g.: \diamond BZ 15/35

- \diamond identifying mark of manufacturing plant
- BZ fastener identity
- 15 max. thickness of fixture for h_{ef}
- 35 max. thickness of fixture for $h_{ef,red}$
- M8 thread diameter
- Additional marking:
- A4 stainless steel
- HCR high corrosion resistant steel

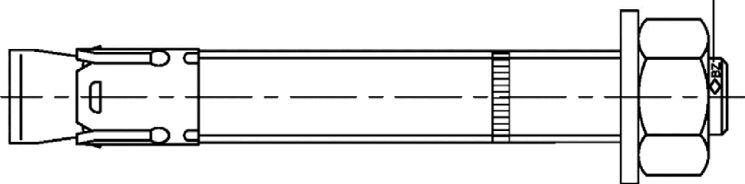
Marking 2 e.g.: \diamond BZ 15



Marking 2 e.g.: \diamond BZ 15

- \diamond identifying mark of manufacturing plant
- BZ fastener identity
- 15 maximum thickness of fixture for h_{ef}
- M8 thread diameter
- Additional marking:
- A4 stainless steel
- HCR high corrosion resistant steel

Fastener size AN BZ plus M24 and M27:



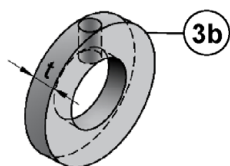
Marking 3 e.g.: \diamond BZ M24-30

- \diamond identifying mark of manufacturing plant
- BZ fastener identity
- M24 thread diameter
- 30 maximum thickness of fixture
- Additional marking:
- A4 stainless steel
- HCR high corrosion resistant steel

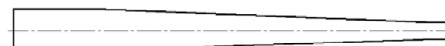
Marking of length	C (c)	D (d)	E (e)	F (f)	G (g)	H (h)	I (i)	J (j)	K (k)	L (l)	M (m)	N (n)
Length of fastener min \geq	63,5	76,2	88,9	101,6	114,3	127,0	139,7	152,4	165,1	177,8	190,5	203,2
Length of fastener max $<$	76,2	88,9	101,6	114,3	127,0	139,7	152,4	165,1	177,8	190,5	203,2	215,9

Marking of length	O (o)	P (p)	Q (q)	R (r)	S (s)	T (t)	U (u)	V (v)	W (w)	X (x)	Y (y)	Z (z)
Length of fastener min \geq	215,9	228,6	241,3	254,0	279,4	304,8	330,2	355,6	381,0	406,4	431,8	457,2
Length of fastener max $<$	228,6	241,3	254,0	279,4	304,8	330,2	355,6	381,0	406,4	431,8	457,2	483,0

Filling washer and reducing adapter for filling the annular gap between fastener and fixture



Thickness of washer for diameter
 $< M24$: $t = 5$ mm
 $\geq M24$: $t = 6$ mm



SIKLA Wedge Anchor AN BZ plus

Product description
Fastener sizes and marking

Annex A3

Table A1: Fastener dimensions AN BZ plus

Fastener size		M8	M10	M12	M16	M20	M24	M27
Conical bolt	Thread	M8	M10	M12	M16	M20	M24	M27
	$\varnothing d_k =$	7,9	9,8	12,0	15,7	19,7	24	28
Length of fastener ¹⁾	Steel, zinc plated	L 65 + t _{fix}	80 + t _{fix}	96,5+t _{fix}	118+t _{fix}	137+t _{fix}	161+t _{fix}	178+t _{fix}
	A4, HCR	L 65 + t _{fix}	80 + t _{fix}	96,5+t _{fix}	118+t _{fix}	137+t _{fix}	168+t _{fix}	-
	reduced anchorage depth	L _{hef,red} 54 + t _{fix}	60 + t _{fix}	76,5+t _{fix}	98+t _{fix}	-	-	-
Thickness of filling washer	t [mm]	5	5	5	5	5	6	6
Hexagon nut	s	13	17	19	24	30	36	41

¹⁾ With additional use of filling washer 3b the usable thickness of fixture is reduced by the thickness of filling washer t [mm] Dimensions in mm

Table A2: Materials AN BZ plus

No.	Part	AN BZ plus		AN BZ plus A4	AN BZ plus HCR
		Steel, zinc plated		Stainless steel A4 (CRC III)	High corrosion resistant steel HCR (CRC V)
		galvanized $\geq 5\mu\text{m}$	sherardized $\geq 45\mu\text{m}$		
1	Conical bolt	M8 to M20: Cold formed or machined steel, galvanized, cone plastic coated	M8 to M20: Cold formed or machined steel, sherardized, cone plastic coated	M8 to M20: Stainless steel (e.g. 1.4401, 1.4404, 1.4578, 1.4571) EN 10088:2014, cone plastic coated	M8 to M20: High corrosion resistant steel 1.4529 or 1.4565, EN 10088:2014, cone plastic coated
	Threaded bolt	M24 and M27: Steel, galvanized	M24 and M27: steel, sherardized	M24: Stainless steel (e.g. 1.4401, 1.4404) EN 10088:2014	M24: High corrosion resistant steel 1.4529 or 1.4565, EN 10088:2014
	Threaded cone		M24 and M27: Steel, galvanized		
2	Expansion sleeve	M8 to M20: Steel (e.g. 1.4301 or 1.4401) EN 10088:2014, M24 and M27: Steel, zinc plated	M8 to M20: Steel (e.g. 1.4301 or 1.4401) EN 10088:2014, M24 and M27: Steel, zinc plated	Stainless steel (e.g. 1.4401, 1.4404, 1.4571) EN 10088:2014	Stainless steel (e.g. 1.4401, 1.4404, 1.4571) EN 10088:2014
3a	Washer	Steel, zinc plated	Steel, zinc plated	Stainless steel (e.g. 1.4401, 1.4571) EN 10088:2014	High corrosion resistant steel 1.4529 or 1.4565, EN 10088:2014
3b	Filling washer				
4	Hexagon nut	Steel, galvanized, coated	Steel, zinc plated	Stainless steel (e.g. 1.4401, 1.4571) EN 10088:2014, coated	High corrosion resistant steel 1.4529 or 1.4565, EN 10088:2014, coated

SIKLA Wedge Anchor AN BZ plus

Product description
Dimensions and materials

Annex A4


Intended use Wedge anchor AN BZ-IG


Pre-setting installation (V)	Through-setting installation (D)
Pre-set fastener body, the fixture bears on the screw or thread rod only	The fastener is set through the fixture, the fixture bears on the conical bolt AN BZ-IG
AN BZ-IG S consisting of AN BZ-IG and S-IG	
AN BZ-IG SK consisting of AN BZ-IG and SK-IG	
AN BZ-IG B consisting of AN BZ-IG and MU-IG	
Setting tool	
<p data-bbox="188 1890 756 1935">AN BZ-IGS M8 V, AN BZ-IGS M10 V, AN BZ-IGS M12 V or AN BZ-IGS M16</p>	<p data-bbox="874 1890 1442 1935">AN BZ-IGS M8 D, AN BZ-IGS M10 D, AN BZ-IGS M12 D or AN BZ-IGS M16 D</p>

SIKLA Wedge Anchor AN BZ-IG

Product description
Installation situation **AN BZ-IG**

Annex A5

Marking:  identifying mark of manufacturing plant
 BZ fastener identity
 M6 size of internal thread
 10 max. thickness of fixture
 (only Through-setting installation)
Additional marking:
 A4 stainless steel
 HCR high corrosion resistant steel

e.g.:  BZ M6-10 A4

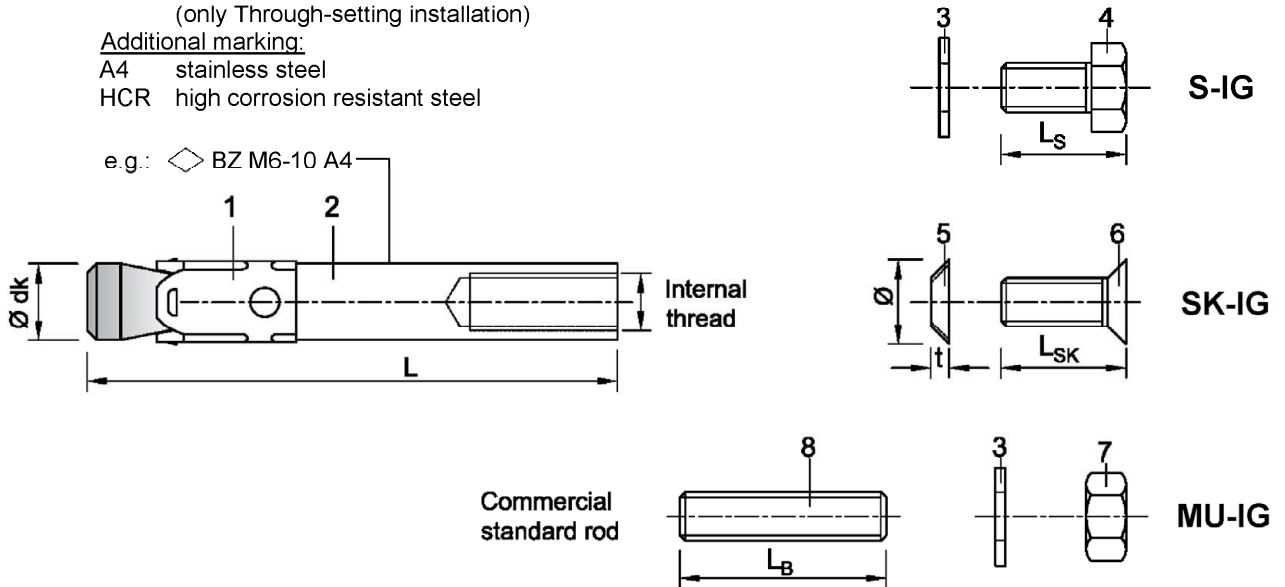


Table A3: Fastener dimensions AN BZ-IG

No.	Fastener size		M6	M8	M10	M12	
1	Conical bolt with internal thread	$\varnothing d_k$	7,9	9,8	11,8	15,7	
		Pre-setting installation	L	50	62	70	86
		Through-setting installation	L	50 + t _{fix}	62 + t _{fix}	70 + t _{fix}	86 + t _{fix}
2	Expansion sleeve		see table A4				
3	Washer		see table A4				
4	Hexagon head screw	width across flats	10	13	17	19	
		Pre-setting installation	L _s	t _{fix} + (13 to 21)	t _{fix} + (17 to 23)	t _{fix} + (21 to 25)	t _{fix} + (24 to 29)
		Through-setting installation	L _s	14 to 20	18 to 22	20 to 22	25 to 28
5	Countersunk washer	\varnothing countersunk	17,3	21,5	25,9	30,9	
		t	3,9	5,0	5,7	6,7	
6	Countersunk head screw	bit size	Torx T30	Torx T45 (Steel, zinc plated) T40 (Stainless steel A4, HCR)	Hexagon socket 6 mm	Hexagon socket 8 mm	
		Pre-setting installation	L _{SK}	t _{fix} + (11 to 19)	t _{fix} + (15 to 21)	t _{fix} + (19 to 23)	t _{fix} + (21 to 27)
		Through-setting installation	L _{SK}	16 to 20	20 to 25	25	30
7	Hexagon nut	width across flats	10	13	17	19	
8	Commercial standard rod ¹⁾	type V	L _B ≥	t _{fix} + 21	t _{fix} + 28	t _{fix} + 34	t _{fix} + 41
		type D	L _B ≥	21	28	34	41

¹⁾ acc. to specifications (Table A4)

Dimensions in mm

SIKLA Wedge Anchor AN BZ-IG

Product description
Fastener parts, marking and dimensions **AN BZ-IG**

Annex A6

Table A4: Materials AN BZ-IG

No.	Part	AN BZ-IG	AN BZ-IG A4	AN BZ-IG HCR
		Steel, galvanized $\geq 5 \mu\text{m}$ acc. to EN ISO 4042:1999	Stainless steel A4 (CRC III)	High corrosion resistant steel HCR (CRC V)
1	Conical bolt BZ-IG with internal thread	Machined steel, Cone plastic coated	Stainless steel (e.g. 1.4401, 1.4404, 1.4571) EN 10088:2014, Cone plastic coated	High corrosion resistant steel, 1.4529, 1.4565, EN 10088:2014, Cone plastic coated
2	Expansion sleeve BZ-IG	Stainless steel (e.g. 1.4301, 1.4401) EN 10088:2014	Stainless steel (e.g. 1.4401, 1.4571) EN 10088:2014	Stainless steel (e.g. 1.4401, 1.4571) EN 10088:2014
3	Washer S-IG / MU-IG	Steel, galvanized	Stainless steel (e.g. 1.4401, 1.4571) EN 10088:2014	High corrosion resistant steel, 1.4529, 1.4565, EN 10088:2014
4	Hexagon head screw S-IG	Steel, galvanized, coated	Stainless steel (e.g. 1.4401, 1.4571) EN 10088:2014, coated	High corrosion resistant steel, 1.4529, 1.4565, EN 10088:2014, coated
5	Countersunk washer SK-IG	Steel, galvanized	Stainless steel (e.g. 1.4401, 1.4404, 1.4571) EN 10088:2014, zinc plated, coated	High corrosion resistant steel, 1.4529, 1.4565, EN 10088:2014, zinc plated, coated
6	Countersunk head screw SK-IG	Steel, galvanized coated	Stainless steel (e.g. 1.4401, 1.4571) EN 10088:2014, coated	High corrosion resistant steel, 1.4529, 1.4565, EN 10088:2014, coated
7	Hexagon nut MU-IG	Steel, galvanized coated	Stainless steel (e.g. 1.4401, 1.4571) EN 10088:2014, coated	High corrosion resistant steel, 1.4529, 1.4565, EN 10088:2014, coated
8	Commercial standard rod	Property class 8.8, EN ISO 898-1:2013 $A_5 > 8 \%$ ductile	Stainless steel (e.g. 1.4401, 1.4571) EN 10088:2014, property class 70, EN ISO 3506:2009	High corrosion resistant steel, 1.4529, 1.4565, EN 10088:2014, property class 70, EN ISO 3506:2009

SIKLA Wedge Anchor AN BZ-IG

Product description
Materials **AN BZ-IG**

Annex A7

Specifications of intended use

Wedge Anchor AN BZ plus							
Standard anchorage depth	M8	M10	M12	M16	M20	M24	M27
Steel, galvanized				✓			
Steel, sherardized				✓			
Stainless steel A4 and high corrosion resistant steel HCR			✓				_2)
Static or quasi-static action				✓			
Fire exposure				✓			
Seismic action (C1 and C2) ¹⁾			✓			_2)	_2)
Reduced anchorage depth ¹⁾	M8	M10	M12	M16			
Steel, galvanized		✓					
Steel, sherardized		✓					
Stainless steel A4 and high corrosion resistant steel HCR		✓					
Static or quasi-static action		✓					
Fire exposure		✓					
Seismic action (C1 and C2)			_2)				

¹⁾ Only cold formed anchors acc. to Annex A3

²⁾ No performance assessed

Wedge Anchor AN BZ-IG	M6	M8	M10	M12
Steel, galvanized		✓		
Stainless steel A4 and high corrosion resistant steel HCR		✓		
Static or quasi-static action		✓		
Fire exposure		✓		
Seismic action (C1 and C2)			_1)	

¹⁾ No performance assessed

Base materials:

- Compacted, reinforced or unreinforced normal weight concrete (without fibers) according to EN 206:2013+A1:2016
- Strength classes C20/25 to C50/60 according to EN 206:2013+A1:2016
- Cracked or uncracked concrete

Use conditions (Environmental conditions):

- Structures subject to dry internal conditions: all materials
- For all other conditions: Intended use of materials according to Annex A4, Table A2 or Annex A7, Table A4 corresponding corrosion resistance classes CRC according to EN 1993-1-4:2006+A1:2015

SIKLA Wedge Anchor AN BZ plus and AN BZ-IG

Intended use
Specifications

Annex B1

Specifications of intended use

Design:

- Anchorages are designed under the responsibility of an engineer experienced in anchorages and concrete work
- Verifiable calculation notes and drawings are prepared taking account of the loads to be anchored. The position of the fastener is indicated on the design drawings (e.g. position of the fastener relative to reinforcement or to supports, etc.).
- Dimensioning of fasteners under static or quasi-static action, seismic action or fire exposure according to EN 1992-4:2018 in conjunction with Technical Report TR 055, Edition February 2018

Installation:

- Fastener installation carried out by appropriately qualified personnel and under the supervision of the person responsible for technical matters of the site
- Hole drilling by hammer drill bit or vacuum drill bit
- Use of the fastener only as supplied by the manufacturer without exchanging the components of the fastener
- Optionally, the annular gap between fixture and stud of the BZ plus can be filled to reduce the hole. For this purpose, the filling washer (3b) must be used in addition to the supplied washer (3a). For filling use high-strength mortar with compressive strength $\geq 40 \text{ N/mm}^2$ (e.g. Sikla Injection System VMZ and VMU plus)
- In case of aborted hole: new drilling at a minimum distance away of twice the depth of the aborted hole or smaller distance if the aborted drill hole is filled with high strength mortar and if under shear or oblique tension load it is not in the direction of load application

SIKLA Wedge Anchor AN BZ plus and AN BZ-IG

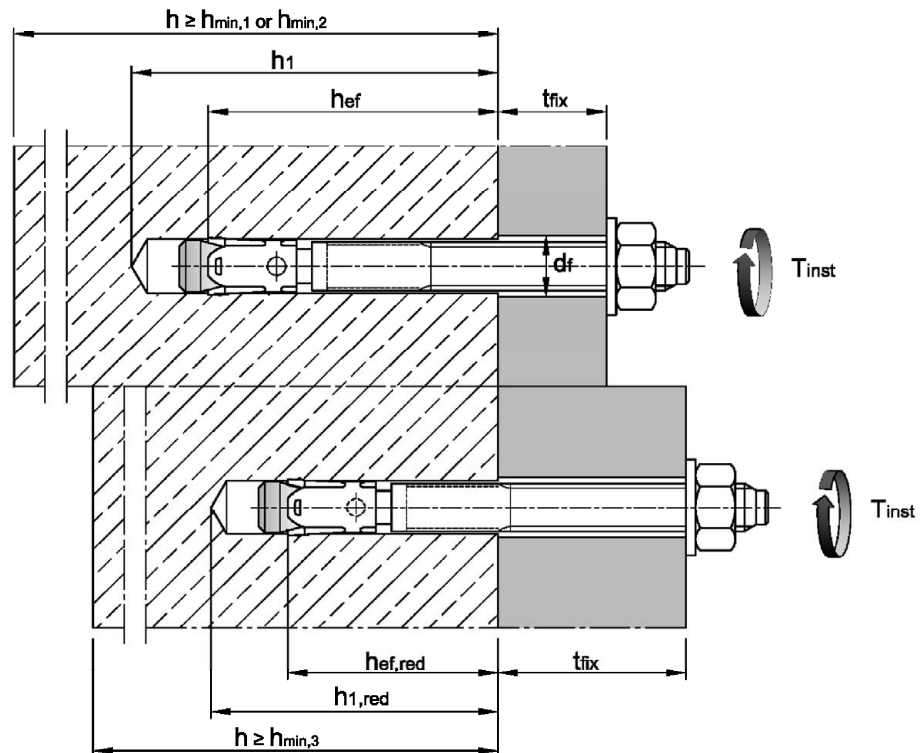
Intended use
Specifications

Annex B2

Table B1: Installation parameters, AN BZ plus

Fastener size			M8	M10	M12	M16	M20	M24	M27	
Nominal drill hole diameter	d_0	[mm]	8	10	12	16	20	24	28	
Cutting diameter of drill bit	$d_{cut} \leq$	[mm]	8,45	10,45	12,5	16,5	20,55	24,55	28,55	
Installation torque	Steel, galvanized	T_{inst}	[Nm]	20	25	45	90	160	200	300
	Steel, sherardized	T_{inst}	[Nm]	16	22	40	90	160	260	300
	Stainless steel A4, HCR	T_{inst}	[Nm]	20	35	50	110	200	290	- ¹⁾
Diameter of clearance hole in the fixture	$d_f \leq$	[mm]	9	12	14	18	22	26	30	
Standard anchorage depth										
Depth of drill hole	Steel, zinc plated	$h_1 \geq$	[mm]	60	75	90	110	125	145	160
	Stainless steel A4, HCR	$h_1 \geq$	[mm]	60	75	90	110	125	155	-
Effective anchorage depth	Steel, zinc plated	h_{ef}	[mm]	46	60	70	85	100	115	125
	Stainless steel A4, HCR	h_{ef}	[mm]	46	60	70	85	100	125	- ¹⁾
Reduced anchorage depth										
Depth of drill hole	$h_{1,red} \geq$	[mm]	49	55	70	90	- ¹⁾	- ¹⁾	- ¹⁾	
Reduced effective anchorage depth	$h_{ef,red}$	[mm]	35	40	50	65	- ¹⁾	- ¹⁾	- ¹⁾	

¹⁾ No performance assessed



SIKLA Wedge Anchor AN BZ plus

Intended use
Installation parameters

Annex B3

Table B2: Minimum spacings and edge distances, standard anchorage depth, AN BZ plus

Fastener size			M8	M10	M12	M16	M20	M24	M27
Standard thickness of concrete member									
Steel zinc plated									
Standard thickness of member	$h_{min,1}$	[mm]	100	120	140	170	200	230	250
Cracked concrete									
Minimum spacing	s_{min}	[mm]	40	45	60	60	95	100	125
	für $c \geq$	[mm]	70	70	100	100	150	180	300
Minimum edge distance	c_{min}	[mm]	40	45	60	60	95	100	180
	für $s \geq$	[mm]	80	90	140	180	200	220	540
Uncracked concrete									
Minimum spacing	s_{min}	[mm]	40	45	60	65	90	100	125
	für $c \geq$	[mm]	80	70	120	120	180	180	300
Minimum edge distance	c_{min}	[mm]	50	50	75	80	130	100	180
	für $s \geq$	[mm]	100	100	150	150	240	220	540
Stainless steel A4, HCR									
Standard thickness of member	$h_{min,1}$	[mm]	100	120	140	160	200	250	- ¹⁾
Cracked concrete									
Minimum spacing	s_{min}	[mm]	40	50	60	60	95	125	- ¹⁾
	für $c \geq$	[mm]	70	75	100	100	150	125	
Minimum edge distance	c_{min}	[mm]	40	55	60	60	95	125	
	für $s \geq$	[mm]	80	90	140	180	200	125	
Uncracked concrete									
Minimum spacing	s_{min}	[mm]	40	50	60	65	90	125	- ¹⁾
	für $c \geq$	[mm]	80	75	120	120	180	125	
Minimum edge distance	c_{min}	[mm]	50	60	75	80	130	125	
	für $s \geq$	[mm]	100	120	150	150	240	125	
Minimum thickness of concrete member									
Steel zinc plated, stainless steel A4, HCR									
Minimum thickness of member	$h_{min,2}$	[mm]	80	100	120	140	- ¹⁾	- ¹⁾	- ¹⁾
Cracked concrete									
Minimum spacing	s_{min}	[mm]	40	45	60	70	- ¹⁾	- ¹⁾	- ¹⁾
	für $c \geq$	[mm]	70	90	100	160			
Minimum edge distance	c_{min}	[mm]	40	50	60	80			
	für $s \geq$	[mm]	80	115	140	180			
Uncracked concrete									
Minimum spacing	s_{min}	[mm]	40	60	60	80	- ¹⁾	- ¹⁾	- ¹⁾
	für $c \geq$	[mm]	80	140	120	180			
Minimum edge distance	c_{min}	[mm]	50	90	75	90			
	für $s \geq$	[mm]	100	140	150	200			
Fire exposure from one side									
Minimum spacing	$s_{min,fi}$	[mm]	See normal ambient temperature						
Minimum edge distance	$c_{min,fi}$	[mm]	See normal ambient temperature						
Fire exposure from more than one side									
Minimum spacing	$s_{min,fi}$	[mm]	See normal ambient temperature						
Minimum edge distance	$c_{min,fi}$	[mm]	≥ 300 mm						

Intermediate values by linear interpolation.

¹⁾ No performance assessed

SIKLA Wedge Anchor AN BZ plus

Intended use
Minimum spacings and edge distances for standard anchorage depth

Annex B4

Table B3: Minimum spacings and edge distances, reduced anchorage depth, AN BZ plus

Fastener size		M8	M10	M12	M16
Minimum thickness of concrete member	$h_{\min,3}$ [mm]	80	80	100	140
Cracked concrete					
Minimum spacing	s_{\min} [mm]	50	50	50	65
	für $c \geq$ [mm]	60	100	160	170
Minimum edge distance	c_{\min} [mm]	40	65	65	100
	für $s \geq$ [mm]	185	180	250	250
Uncracked concrete					
Minimum spacing	s_{\min} [mm]	50	50	50	65
	für $c \geq$ [mm]	60	100	160	170
Minimum edge distance	c_{\min} [mm]	40	65	100	170
	für $s \geq$ [mm]	185	180	185	65
Fire exposure from one side					
Minimum spacing	$s_{\min,fi}$ [mm]	See normal ambient temperature			
Minimum edge distance	$c_{\min,fi}$ [mm]	See normal ambient temperature			
Fire exposure from more than one side					
Minimum spacing	$s_{\min,fi}$ [mm]	See normal ambient temperature			
Minimum edge distance	$c_{\min,fi}$ [mm]	≥ 300 mm			

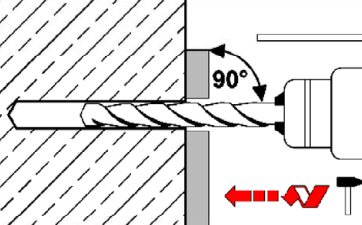
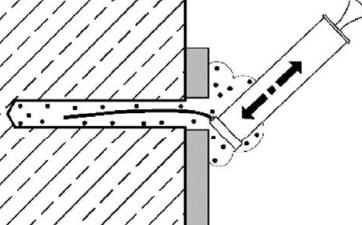
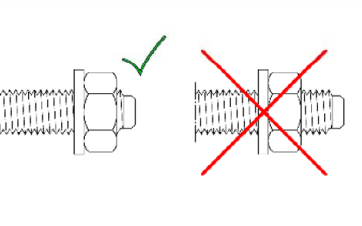
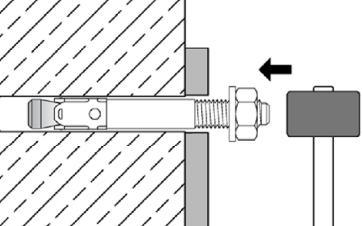
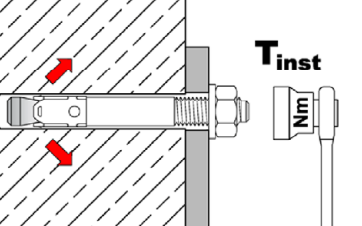
Intermediate values by linear interpolation.

SIKLA Wedge Anchor AN BZ plus

Intended use
Minimum spacings and edge distances for reduced anchorage depth

Annex B5

Installation instructions AN BZ plus

1		<p>Drill hole perpendicular to concrete surface. If using a vacuum drill bit, proceed with step 3.</p>
2		<p>Blow out dust. Alternatively vacuum clean down to the bottom of the hole.</p>
3		<p>Check position of nut.</p>
4		<p>Drive in fastener, such that h_{ef} or $h_{ef,red}$ depth is met. This compliance is ensured, if the thickness of fixture is not greater than the maximum thickness of fixture marked on the fastener in accordance with Annex A3.</p>
5		<p>Installation torque T_{inst} shall be applied by using calibrated torque wrench.</p>

SIKLA Wedge Anchor AN BZ plus

Intended Use
Installation instructions

Annex B6

Installation instructions AN BZ plus with filling of annular gap

1		<p>Drill hole perpendicular to concrete surface. If using a vacuum drill bit, proceed with step 3a.</p>
2		<p>Blow out dust. Alternatively vacuum clean down to the bottom of the hole.</p>
3a		<p>Check position of nut.</p>
3b		<p>Fit the filling washer to the fastener. The thickness of the filling washer must be taken into account with t_{fix}.</p>
4		<p>Drive in fastener with filling washer, such that h_{ef} or $h_{ef,red}$ depth is met. This compliance is ensured, if the thickness of fixture is 5mm smaller (or 6mm when $\geq M24$) than the maximum thickness of fixture marked on the fastener in accordance with Annex A3.</p>
5		<p>Installation torque T_{inst} shall be applied by using calibrated torque wrench.</p>
6		<p>Fill the annular gap between stud and fixture with high strength mortar with compressive strength $\geq 40 \text{ N/mm}^2$ (e.g. Sikla Injection System VMZ or VMU plus). Use enclosed reducing adapter. Observe the processing information of the mortar! The annular gap is completely filled, when excess mortar seeps out.</p>

SIKLA Wedge Anchor AN BZ plus

Intended Use
Installation instructions with filling washer

Annex B7

Table B4: Installation parameters AN BZ-IG

Fastener size			M6	M8	M10	M12
Effective anchorage depth	h_{ef}	[mm]	45	58	65	80
Drill hole diameter	d_0	[mm]	8	10	12	16
Cutting diameter of drill bit	$d_{cut} \leq$	[mm]	8,45	10,45	12,5	16,5
Depth of drill hole	$h_1 \geq$	[mm]	60	75	90	105
Screwing depth of threaded rod	$L_{sd}^{2)} \geq$	[mm]	9	12	15	18
Installation torque, steel zinc plated	T_{inst}	S [Nm]	10	30	30	55
		SK [Nm]	10	25	40	50
		B [Nm]	8	25	30	45
Installation torque, stainless steel A4, HCR	T_{inst}	S [Nm]	15	40	50	100
		SK [Nm]	12	25	45	60
		B [Nm]	8	25	40	80
Pre-setting installation						
Diameter of clearance hole in the fixture	$d_f \leq$	[mm]	7	9	12	14
Minimum thickness of fixture	$t_{fix} \geq$	S [mm]	1	1	1	1
		SK [mm]	5	7	8	9
		B [mm]	1	1	1	1
Through-setting installation						
Diameter of clearance hole in the fixture	$d_f \leq$	[mm]	9	12	14	18
Minimum thickness of fixture ¹⁾	$t_{fix} \geq$	S [mm]	5	7	8	9
		SK [mm]	9	12	14	16
		B [mm]	5	7	8	9

¹⁾ The minimum thickness of fixture can be reduced to the value of pre-setting installation, if the shear load at steel failure is designed with lever arm.

²⁾ see Annex A5

Table B5: Minimum spacings and edge distances AN BZ-IG

Fastener size			M6	M8	M10	M12
Minimum thickness of concrete member	h_{min}	[mm]	100	120	130	160
Cracked concrete						
Minimum spacing	s_{min}	[mm]	50	60	70	80
	für $c \geq$	[mm]	60	80	100	120
Minimum edge distance	c_{min}	[mm]	50	60	70	80
	für $s \geq$	[mm]	75	100	100	120
Uncracked concrete						
Minimum spacing	s_{min}	[mm]	50	60	65	80
	für $c \geq$	[mm]	80	100	120	160
Minimum edge distance	c_{min}	[mm]	50	60	70	100
	für $s \geq$	[mm]	115	155	170	210
Fire exposure from one side						
Minimum spacing	$s_{min,fi}$	[mm]	See normal temperature			
Minimum edge distance	$c_{min,fi}$	[mm]	See normal temperature			
Fire exposure from more than one side						
Minimum spacing	$s_{min,fi}$	[mm]	See normal temperature			
Minimum edge distance	$c_{min,fi}$	[mm]	≥ 300 mm			

Intermediate values by linear interpolation.

SIKLA Wedge Anchor AN BZ-IG

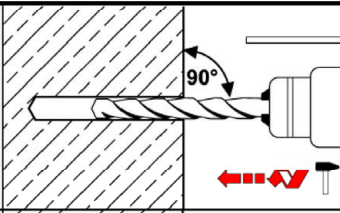
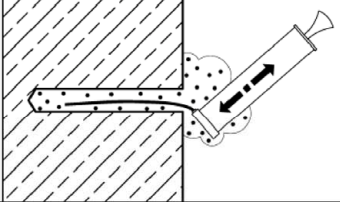
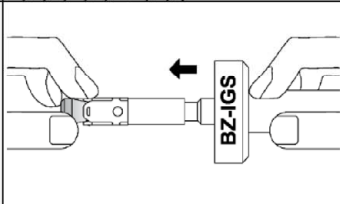
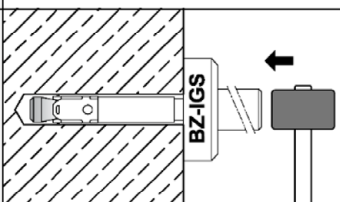
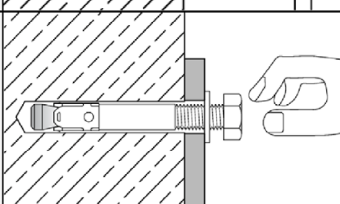
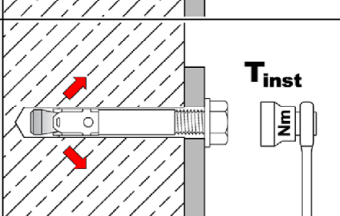
Intended use

Installation parameters, minimum spacings and edge distances **AN BZ-IG**

Annex B8

Installation instructions AN BZ-IG

Pre-setting installation

1		<p>Drill hole perpendicular to concrete surface. If using vacuum drill bit, proceed with step 3.</p>
2		<p>Blow out dust. Alternatively vacuum clean down to the bottom of the hole.</p>
3		<p>Setting tool for pre-setting installation insert in fastener.</p>
4		<p>Drive in fastener with setting tool.</p>
5		<p>Drive in screw.</p>
6		<p>Installation torque T_{inst} may be applied by using calibrated torque wrench.</p>

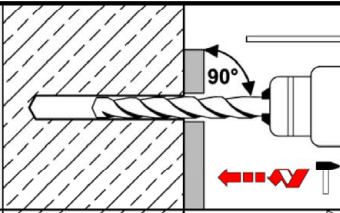
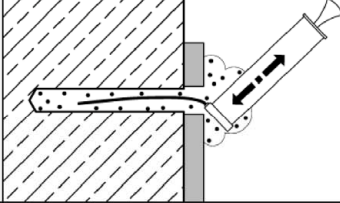
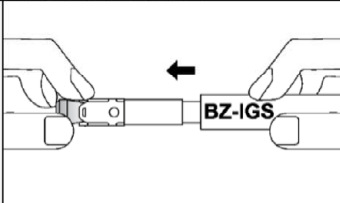
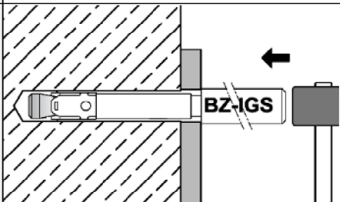
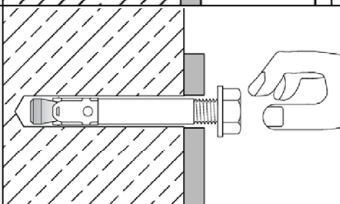
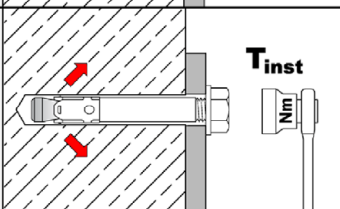
SIKLA Wedge Anchor AN BZ-IG

Intended Use
Installation instructions for pre-setting installation AN BZ-IG

Annex B9

Installation instructions **AN BZ-IG**

Through-setting installation

1		<p>Drill hole perpendicular to concrete surface. If using a vacuum drill bit, proceed with step 3.</p>
2		<p>Blow out dust. Alternatively vacuum clean down to the bottom of the hole.</p>
3		<p>Setting tool for through-setting installation insert in fastener.</p>
4		<p>Drive in fastener with setting tool.</p>
5		<p>Drive in screw.</p>
6		<p>Installation torque T_{inst} may be applied by using calibrated torque wrench.</p>

SIKLA Wedge Anchor AN BZ-IG

Intended Use
Installation instructions for through-setting installation **AN BZ-IG**

Annex B10

Table C1: Characteristic values for tension loads, AN BZ plus zinc plated, cracked concrete, static and quasi-static action

Fastener size			M8	M10	M12	M16	M20	M24	M27
Installation factor	γ_{inst}	[-]	1,0						
Steel failure									
Characteristic resistance	$N_{Rk,s}$	[kN]	16	27	40	60	86	126	196
Partial factor	γ_{Ms}	[-]	1,53		1,5		1,6	1,5	
Pull-out									
Standard anchorage depth									
Characteristic resistance in cracked concrete C20/25	$N_{Rk,p}$	[kN]	5	9	16	25	36	44,4	50,3
Reduced anchorage depth									
Characteristic resistance in cracked concrete C20/25	$N_{Rk,p}$	[kN]	5	7,5	12,7	18,9	- ¹⁾	- ¹⁾	- ¹⁾
Increasing factor for $N_{Rk,p} = \psi_c \cdot N_{Rk,p} (C20/25)$	ψ_c	[-]	$\left(\frac{f_{ck}}{20}\right)^{0,5}$						
Concrete cone failure									
Effective anchorage depth	h_{ef}	[mm]	46	60	70	85	100	115	125
Reduced anchorage depth	$h_{ef,red}$	[mm]	35 ²⁾	40	50	65	- ¹⁾	- ¹⁾	- ¹⁾
Factor for cracked concrete	$k_1 = k_{cr,N}$	[-]	7,7						

¹⁾ No performance assessed

²⁾ Use restricted to anchoring of structural components statically indeterminate

SIKLA Wedge Anchor AN BZ plus

Performance

Characteristic values for **tension loads**, AN BZ plus zinc plated, **cracked concrete**, static and quasi-static action

Annex C1

Table C2: Characteristic values for tension loads, AN BZ plus A4 / HCR, cracked concrete, static and quasi-static action

Fastener size		M8	M10	M12	M16	M20	M24
Installation factor	γ_{inst} [-]	1,0					
Steel failure							
Characteristic resistance	$N_{Rk,s}$ [kN]	16	27	40	64	108	110
Partial factor	γ_{Ms} [-]	1,5				1,68	1,5
Pull-out							
Standard anchorage depth							
Characteristic resistance in cracked concrete C20/25	$N_{Rk,p}$ [kN]	5	9	16	25	36	40
Reduced anchorage depth							
Characteristic resistance in cracked concrete C20/25	$N_{Rk,p}$ [kN]	5	7,5	12,7	18,9	- ¹⁾	- ¹⁾
Increasing factor for $N_{Rk,p} = \psi_c \cdot N_{Rk,p} (C20/25)$	ψ_c [-]	$\left(\frac{f_{ck}}{20}\right)^{0,5}$					
Concrete cone failure							
Effective anchorage depth	h_{ef} [mm]	46	60	70	85	100	125
Reduced anchorage depth	$h_{ef,red}$ [mm]	35 ²⁾	40	50	65	- ¹⁾	- ¹⁾
Factor for cracked concrete	$k_{cr,N}$ [-]	7,7					

¹⁾ No performance assessed.

²⁾ Use restricted to anchoring of structural components statically indeterminate.

SIKLA Wedge Anchor AN BZ plus

Performance

Characteristic values for **tension loads, AN BZ plus A4 / HCR, cracked concrete**, static and quasi-static action

Annex C2

Table C3: Characteristic values for tension loads, AN BZ plus zinc plated, uncracked concrete, static and quasi-static action

Fastener size		M8	M10	M12	M16	M20	M24	M27
Installation factor	γ_{inst} [-]	1,0						
Steel failure								
Characteristic resistance	$N_{Rk,s}$ [kN]	16	27	40	60	86	126	196
Partial factor	γ_{Ms} [-]	1,53		1,5		1,6	1,5	
Pull-out								
Standard anchorage depth								
Characteristic resistance in uncracked concrete C20/25	$N_{Rk,p}$ [kN]	12	16	25	35	51	62,9	71,3
Reduced anchorage depth								
Characteristic resistance in uncracked concrete C20/25	$N_{Rk,p}$ [kN]	7,5	9	18	26,7	_1)	_1)	_1)
Splitting								
Standard anchorage depth								
Splitting for standard thickness of concrete member (The higher resistance of case 1 and case 2 may be applied; $C_{cr,sp}$ may be linearly interpolated for the member thickness $h_{min,2} < h < h_{min,1}$ (Case 2); $\psi_{h,sp} = 1,0$)								
Standard thickness of concrete	$h_{min,1} \geq$ [mm]	100	120	140	170	200	230	250
Case 1								
Characteristic resistance in uncracked concrete C20/25	$N^0_{Rk,sp}$ [kN]	9	12	20	30	40	62,3	50
Edge distance	$C_{cr,sp}$ [mm]	1,5 h_{ef}						
Case 2								
Characteristic resistance in uncracked concrete C20/25	$N^0_{Rk,sp}$ [kN]	12	16	25	35	50,5	62,3	70,6
Edge distance	$C_{cr,sp}$ [mm]	2 h_{ef}				2,2 h_{ef}	1,5 h_{ef}	2,5 h_{ef}
Splitting for minimum thickness of concrete member								
Minimum thickness of concrete	$h_{min,2} \geq$ [mm]	80	100	120	140			
Characteristic resistance in uncracked concrete C20/25	$N^0_{Rk,sp}$ [kN]	12	16	25	35	_1)	_1)	_1)
Edge distance	$C_{cr,sp}$ [mm]	2,5 h_{ef}						
Reduced anchorage depth								
Minimum thickness of concrete	$h_{min,3} \geq$ [mm]	80	80	100	140			
Characteristic resistance in uncracked concrete C20/25	$N^0_{Rk,sp}$ [kN]	7,5	9	17,9	26,5	_1)	_1)	_1)
Edge distance	$C_{cr,sp}$ [mm]	100	100	125	150			
Increasing factor	ψ_c [-]	$\left(\frac{f_{ck}}{20}\right)^{0,5}$						
Concrete cone failure								
Effective anchorage depth	h_{ef} [mm]	46	60	70	85	100	115	125
Reduced anchorage depth	$h_{ef,red}$ [mm]	35 ²⁾	40	50	65	_1)	_1)	_1)
Factor for uncracked concrete	$k_1 = k_{ucr,N}$ [-]	11,0						

¹⁾ No performance assessed.

²⁾ Use restricted to anchoring of structural components statically indeterminate.

SIKLA Wedge Anchor AN BZ plus

Performance

Characteristic values for tension loads, AN BZ plus zinc plated, uncracked concrete, static and quasi-static action

Annex C3

Table C4: Characteristic values for tension loads, AN BZ plus A4 / HCR, uncracked concrete, static and quasi-static action

Fastener size			M8	M10	M12	M16	M20	M24
Installation factor	γ_{inst}	[-]	1,0					
Steel failure								
Characteristic resistance	$N_{Rk,s}$	[kN]	16	27	40	64	108	110
Partial factor	γ_{Ms}	[-]	1,5				1,68	1,5
Pull-out								
Standard anchorage depth								
Characteristic resistance in uncracked concrete C20/25	$N_{Rk,p}$	[kN]	12	16	25	35	51	71,3
Reduced anchorage depth								
Characteristic resistance in uncracked concrete C20/25	$N_{Rk,p}$	[kN]	7,5	9	18	26,7	- ¹⁾	- ¹⁾
Splitting								
Standard anchorage depth								
<u>Splitting for standard thickness of concrete member</u> (The higher resistance of case 1 and case 2 may be applied; $C_{cr,sp}$ may be linearly interpolated for the member thickness $h_{min,2} < h < h_{min,1}$ (Case 2); $\psi_{h,sp} = 1,0$)								
Standard thickness of concrete	$h_{min,1} \geq$	[mm]	100	120	140	160	200	250
Case 1								
Characteristic resistance in uncracked concrete C20/25	$N^0_{Rk,sp}$	[kN]	9	12	20	30	40	- ¹⁾
Edge distance	$C_{cr,sp}$	[mm]	1,5 h_{ef}					- ¹⁾
Case 2								
Characteristic resistance in uncracked concrete C20/25	$N^0_{Rk,sp}$	[kN]	12	16	25	35	50,5	70,6
Edge distance	$C_{cr,sp}$	[mm]	115	125	140	200	220	250
<u>Splitting for minimum thickness of concrete member</u>								
Minimum thickness of concrete	$h_{min,2} \geq$	[mm]	80	100	120	140	- ¹⁾	- ¹⁾
Characteristic resistance in uncracked concrete C20/25	$N^0_{Rk,sp}$	[kN]	12	16	25	35		
Edge distance	$C_{cr,sp}$	[mm]	2,5 h_{ef}					
Reduced anchorage depth								
Minimum thickness of concrete	$h_{min,3} \geq$	[mm]	80	80	100	140	- ¹⁾	- ¹⁾
Characteristic resistance in uncracked concrete C20/25	$N^0_{Rk,sp}$	[kN]	7,5	9	17,9	26,5		
Edge distance	$C_{cr,sp}$	[mm]	100	100	125	150		
Increasing factor	ψ_c	[-]	$\left(\frac{f_{ck}}{20}\right)^{0,5}$					
$N_{Rk,p} = \psi_c \cdot N_{Rk,p} (C20/25)$ $N^0_{Rk,sp} = \psi_c \cdot N^0_{Rk,sp} (C20/25)$								
Concrete cone failure								
Effective anchorage depth	h_{ef}	[mm]	46	60	70	85	100	125
Reduced anchorage depth	$h_{ef,red}$	[mm]	35 ²⁾	40	50	65	- ¹⁾	- ¹⁾
Factor for uncracked concrete	$k_1 = k_{ucr,N}$	[-]	11,0					

¹⁾ No performance assessed.

²⁾ Use restricted to anchoring of structural components statically indeterminate.

SIKLA Wedge Anchor AN BZ plus

Performance

Characteristic values for tension loads, AN BZ plus A4 / HCR, uncracked concrete, static and quasi-static action

Annex C4

**Table C5: Characteristic values for shear loads, AN BZ plus,
cracked and uncracked concrete, static or quasi static action**

Fastener size			M8	M10	M12	M16	M20	M24	M27	
Installation factor	γ_{inst}	[-]	1,0							
Steel failure without lever arm, Steel zinc plated										
Characteristic resistance	$V_{Rk,s}^0$	[kN]	12,2	20,1	30	55	69	114	169,4	
Ductility factor	k_7	[-]	1,0							
Partial factor	γ_{Ms}	[-]	1,25				1,33	1,25	1,25	
Steel failure without lever arm, Stainless steel A4, HCR										
Characteristic resistance	$V_{Rk,s}^0$	[kN]	13	20	30	55	86	123,6	- ¹⁾	
Ductility factor	k_7	[-]	1,0							
Partial factor	γ_{Ms}	[-]	1,25				1,4	1,25		
Steel failure with lever arm, Steel zinc plated										
Characteristic bending resistance	$M_{Rk,s}^0$	[Nm]	23	47	82	216	363	898	1331,5	
Partial factor	γ_{Ms}	[-]	1,25				1,33	1,25	1,25	
Steel failure with lever arm, Stainless steel A4, HCR										
Characteristic bending resistance	$M_{Rk,s}^0$	[Nm]	26	52	92	200	454	785,4	- ¹⁾	
Partial factor	γ_{Ms}	[-]	1,25				1,4	1,25		
Concrete pry-out failure										
Pry-out factor	k_8	[-]	2,4				2,8			
Concrete edge failure										
Effective length of fastener in shear loading with h_{ef}	Steel zinc plated	l_f	[mm]	46	60	70	85	100	115	125
	Stainless steel A4, HCR	l_f	[mm]	46	60	70	85	100	125	- ¹⁾
Effective length of fastener in shear loading with $h_{ef,red}$	Steel zinc plated	$l_{f,red}$	[mm]	35 ²⁾	40	50	65	- ¹⁾	- ¹⁾	- ¹⁾
	Stainless steel A4, HCR	$l_{f,red}$	[mm]	35 ²⁾	40	50	65			
Outside diameter of fastener	d_{nom}	[mm]	8	10	12	16	20	24	27	

¹⁾ No performance assessed.

²⁾ Use restricted to anchoring of structural components statically indeterminate.

SIKLA Wedge Anchor AN BZ plus

Performance

Characteristic values for shear loads, AN BZ plus,
cracked and uncracked concrete, static or quasi static action

Annex C5

**Table C6: Characteristic resistance for seismic loading, AN BZ plus,
standard anchorage depth, performance category C1 and C2**

Fastener size			M8	M10	M12	M16	M20
Tension loads							
Installation factor	γ_{inst}	[-]	1,0				
Steel failure, Steel zinc plated							
Characteristic resistance C1	$N_{Rk,s,eq,C1}$	[kN]	16	27	40	60	86
Characteristic resistance C2	$N_{Rk,s,eq,C2}$	[kN]	16	27	40	60	86
Partial factor	γ_{Ms}	[-]	1,53		1,5		1,6
Steel failure, Stainless steel A4, HCR							
Characteristic resistance C1	$N_{Rk,s,eq,C1}$	[kN]	16	27	40	64	108
Characteristic resistance C2	$N_{Rk,s,eq,C2}$	[kN]	16	27	40	64	108
Partial factor	γ_{Ms}	[-]	1,5				1,68
Pull-out (steel zinc plated, stainless steel A4 and HCR)							
Characteristic resistance C1	$N_{Rk,p,eq,C1}$	[kN]	5	9	16	25	36
Characteristic resistance C2	$N_{Rk,p,eq,C2}$	[kN]	2,3	3,6	10,2	13,8	24,4
Shear loads							
Steel failure without lever arm, Steel zinc plated							
Characteristic resistance C1	$V_{Rk,s,eq,C1}$	[kN]	9,3	20	27	44	69
Characteristic resistance C2	$V_{Rk,s,eq,C2}$	[kN]	6,7	14	16,2	35,7	55,2
Partial factor	γ_{Ms}	[-]	1,25				1,33
Steel failure without lever arm, Stainless steel A4, HCR							
Characteristic resistance C1	$V_{Rk,s,eq,C1}$	[kN]	9,3	20	27	44	69
Characteristic resistance C2	$V_{Rk,s,eq,C2}$	[kN]	6,7	14	16,2	35,7	55,2
Partial factor	γ_{Ms}	[-]	1,25				1,4
Factor for annular gap	without filling of annular gap	α_{gap}	[-]	0,5			
	with filling of annular gap	α_{gap}	[-]	1,0			

SIKLA Wedge Anchor AN BZ plus

Performance
Characteristic resistance for **seismic loading**, AN BZ plus,
standard anchorage depth, performance category **C1** and **C2**

Annex C6

Table C7: Characteristic values for tension and shear load under fire exposure, AN BZ plus, standard anchorage depth, cracked and uncracked concrete C20/25 to C50/60

Fastener size		M8	M10	M12	M16	M20	M24	M27		
Tension load										
Steel failure										
Steel, zinc plated										
Characteristic resistance	R30	$N_{Rk,s,fi}$	[kN]	1,5	2,6	4,1	7,7	9,4	13,6	17,6
	R60			1,1	1,9	3,0	5,6	8,2	11,8	15,3
	R90			0,8	1,4	2,4	4,4	6,9	10,0	13,0
	R120			0,7	1,2	2,2	4,0	6,3	9,1	11,8
Stainless steel A4, HCR										
Characteristic resistance	R30	$N_{Rk,s,fi}$	[kN]	3,8	6,9	12,7	23,7	33,5	48,2	_1)
	R60			2,9	5,3	9,4	17,6	25,0	35,9	
	R90			2,0	3,6	6,1	11,5	16,4	23,6	
	R120			1,6	2,8	4,5	8,4	12,1	17,4	
Shear load										
Steel failure without lever arm										
Steel, zinc plated										
Characteristic resistance	R30	$V_{Rk,s,fi}$	[kN]	1,6	2,6	4,1	7,7	11	16	20,6
	R60			1,5	2,5	3,6	6,8	11	15	19,8
	R90			1,2	2,1	3,5	6,5	10	15	19,0
	R120			1,0	2,0	3,4	6,4	10	14	18,6
Stainless steel A4, HCR										
Characteristic resistance	R30	$V_{Rk,s,fi}$	[kN]	3,8	6,9	12,7	23,7	33,5	48,2	_1)
	R60			2,9	5,3	9,4	17,6	25,0	35,9	
	R90			2,0	3,6	6,1	11,5	16,4	23,6	
	R120			1,6	2,8	4,5	8,4	12,1	17,4	
Steel failure with lever arm										
Steel, zinc plated										
Characteristic resistance	R30	$M^0_{Rk,s,fi}$	[Nm]	1,7	3,3	6,4	16,3	29	50	75
	R60			1,6	3,2	5,6	14	28	48	72
	R90			1,2	2,7	5,4	14	27	47	69
	R120			1,1	2,5	5,3	13	26	46	68
Stainless steel A4, HCR										
Characteristic resistance	R30	$M^0_{Rk,s,fi}$	[Nm]	3,8	9,0	19,7	50,1	88,8	153,5	_1)
	R60			2,9	6,8	14,6	37,2	66,1	114,3	
	R90			2,1	4,7	9,5	24,2	43,4	75,1	
	R120			1,6	3,6	7,0	17,8	32,1	55,5	

¹⁾ No performance assessed

SIKLA Wedge Anchor AN BZ plus

Performance

Characteristic values for tension and shear load under fire exposure, AN BZ plus, standard anchorage depth, cracked and uncracked concrete C20/25 to C50/60

Annex C7

Table C8: Characteristic values for tension and shear load under fire exposure, AN BZ plus, reduced anchorage depth, cracked and uncracked concrete C20/25 to C50/60

Fastener size		M8	M10	M12	M16		
Tension load							
Steel failure							
Steel, zinc plated							
Characteristic resistance	R30	$N_{Rk,s,fi}$	[kN]	1,5	2,6	4,1	7,7
	R60			1,1	1,9	3,0	5,6
	R90			0,8	1,3	1,9	3,5
	R120			0,6	1,0	1,3	2,5
Stainless steel A4, HCR							
Characteristic resistance	R30	$N_{Rk,s,fi}$	[kN]	3,2	6,9	12,7	23,7
	R60			2,5	5,3	9,4	17,6
	R90			1,9	3,6	6,1	11,5
	R120			1,6	2,8	4,5	8,4
Shear load							
Steel failure without lever arm							
Steel, zinc plated							
Characteristic resistance	R30	$V_{Rk,s,fi}$	[kN]	1,5	2,6	4,1	7,7
	R60			1,1	1,9	3,0	5,6
	R90			0,8	1,3	1,9	3,5
	R120			0,6	1,0	1,3	2,5
Stainless steel A4, HCR							
Characteristic resistance	R30	$V_{Rk,s,fi}$	[kN]	3,2	6,9	12,7	23,7
	R60			2,5	5,3	9,4	17,6
	R90			1,9	3,6	6,1	11,5
	R120			1,6	2,8	4,5	8,4
Steel failure with lever arm							
Steel, zinc plated							
Characteristic resistance	R30	$M^0_{Rk,s,fi}$	[Nm]	1,5	3,3	6,4	16,3
	R60			1,2	2,5	4,7	11,9
	R90			0,8	1,7	3,0	7,5
	R120			0,6	1,2	2,1	5,3
Stainless steel A4, HCR							
Characteristic resistance	R30	$M^0_{Rk,s,fi}$	[Nm]	3,2	8,9	19,7	50,1
	R60			2,6	6,8	14,6	37,2
	R90			2,0	4,7	9,5	24,2
	R120			1,6	3,6	7,0	17,8

SIKLA Wedge Anchor AN BZ plus

Performance

Characteristic values for tension and shear load under fire exposure, AN BZ plus, reduced anchorage depth, cracked and uncracked concrete C20/25 to C50/60

Annex C8

Table C9: Displacements under tension load, AN BZ plus

Fastener size			M8	M10	M12	M16	M20	M24	M27
Standard anchorage depth									
Steel zinc plated									
Tension load in cracked concrete	N	[kN]	2,4	4,3	7,6	11,9	17,1	21,1	24
Displacement	δ_{N0}	[mm]	0,6	1,0	0,4	1,0	0,9	0,7	0,9
	$\delta_{N\infty}$	[mm]	1,4	1,2	1,4	1,3	1,0	1,2	1,4
Tension load in uncracked concrete	N	[kN]	5,7	7,6	11,9	16,7	23,8	29,6	34
Displacement	δ_{N0}	[mm]	0,4	0,5	0,7	0,3	0,4	0,5	0,3
	$\delta_{N\infty}$	[mm]	0,8		1,4	0,8		1,4	
Displacements under seismic tension loads C2									
Displacements for DLS	$\delta_{N,eq,(DLS)}$	[mm]	2,3	4,1	4,9	3,6	5,1	- ¹⁾	- ¹⁾
Displacements for ULS	$\delta_{N,eq,(ULS)}$	[mm]	8,2	13,8	15,7	9,5	15,2	- ¹⁾	- ¹⁾
Stainless steel A4, HCR									
Tension load in cracked concrete	N	[kN]	2,4	4,3	7,6	11,9	17,1	19,0	- ¹⁾
Displacement	δ_{N0}	[mm]	0,7	1,8	0,4	0,7	0,9	0,5	
	$\delta_{N\infty}$	[mm]	1,2	1,4	1,4	1,4	1,0	1,8	
Tension load in uncracked concrete	N	[kN]	5,8	7,6	11,9	16,7	23,8	33,5	- ¹⁾
Displacement	δ_{N0}	[mm]	0,6	0,5	0,7	0,2	0,4	0,5	
	$\delta_{N\infty}$	[mm]	1,2	1,0	1,4	0,4	0,8	1,1	
Displacements under seismic tension loads C2									
Displacements for DLS	$\delta_{N,eq,(DLS)}$	[mm]	2,3	4,1	4,9	3,6	5,1	- ¹⁾	- ¹⁾
Displacements for ULS	$\delta_{N,eq,(ULS)}$	[mm]	8,2	13,8	15,7	9,5	15,2	- ¹⁾	- ¹⁾
Reduced anchorage depth									
Steel zinc plated, stainless steel A4, HCR									
Tension load in cracked concrete	N	[kN]	2,4	3,6	6,1	9,0	- ¹⁾	- ¹⁾	- ¹⁾
Displacement	δ_{N0}	[mm]	0,8	0,7	0,5	1,0			
	$\delta_{N\infty}$	[mm]	1,2	1,0	0,8	1,1			
Tension load in uncracked concrete	N	[kN]	3,7	4,3	8,5	12,6	- ¹⁾	- ¹⁾	- ¹⁾
Displacement	δ_{N0}	[mm]	0,1	0,2	0,2	0,2			
	$\delta_{N\infty}$	[mm]	0,7	0,7	0,7	0,7			

¹⁾ No performance assessed

SIKLA Wedge Anchor AN BZ plus

Performance
Displacements under tension load

Annex C9

Table C10: Displacements under shear load, AN BZ plus

Fastener size			M8	M10	M12	M16	M20	M24	M27
Standard anchorage depth									
Steel zinc plated									
Shear load in cracked and uncracked concrete	V	[kN]	6,9	11,4	17,1	31,4	36,8	64,9	96,8
Displacement	δ_{V0}	[mm]	2,0	3,2	3,6	3,5	1,8	3,5	3,6
	$\delta_{V\infty}$	[mm]	3,0	4,7	5,5	5,3	2,7	5,3	5,4
Displacements under seismic shear loads C2									
Displacements for DLS	$\delta_{V,eq(DLS)}$	[mm]	3,0	2,7	3,5	4,3	4,7	- ¹⁾	- ¹⁾
Displacements for ULS	$\delta_{V,eq(ULS)}$	[mm]	5,9	5,3	9,5	9,6	10,1		
Stainless steel A4, HCR									
Shear load in cracked and uncracked concrete	V	[kN]	7,3	11,4	17,1	31,4	43,8	70,6	- ¹⁾
Displacement	δ_{V0}	[mm]	1,9	2,4	4,0	4,3	2,9	2,8	
	$\delta_{V\infty}$	[mm]	2,9	3,6	5,9	6,4	4,3	4,2	
Displacements under seismic shear loads C2									
Displacements for DLS	$\delta_{V,eq(DLS)}$	[mm]	3,0	2,7	3,5	4,3	4,7	- ¹⁾	- ¹⁾
Displacements for ULS	$\delta_{V,eq(ULS)}$	[mm]	5,9	5,3	9,5	9,6	10,1		
Reduced anchorage depth									
Steel zinc plated									
Shear load in cracked and uncracked concrete	V	[kN]	6,9	11,4	17,1	31,4	- ¹⁾	- ¹⁾	- ¹⁾
Displacement	δ_{V0}	[mm]	2,0	3,2	3,6	3,5			
	$\delta_{V\infty}$	[mm]	3,0	4,7	5,5	5,3			
Stainless steel A4, HCR									
Shear load in cracked and uncracked concrete	V	[kN]	7,3	11,4	17,1	31,4	- ¹⁾	- ¹⁾	- ¹⁾
Displacement	δ_{V0}	[mm]	1,9	2,4	4,0	4,3			
	$\delta_{V\infty}$	[mm]	2,9	3,6	5,9	6,4			

¹⁾ No performance assessed

SIKLA Wedge Anchor AN BZ plus

Performance
Displacements under shear load

Annex C10

Table C11: Characteristic values for tension loads, AN BZ-IG, cracked concrete, static and quasi-static action

Fastener size			M6	M8	M10	M12
Installation factor	γ_{inst}	[-]	1,2			
Steel failure						
Characteristic resistance, steel zinc plated	$N_{Rk,s}$	[kN]	16,1	22,6	26,0	56,6
Partial factor	γ_{Ms}	[-]	1,5			
Characteristic resistance, stainless steel A4, HCR	$N_{Rk,s}$	[kN]	14,1	25,6	35,8	59,0
	γ_{Ms}	[-]	1,87			
Pull-out failure						
Characteristic resistance in cracked concrete C20/25	$N_{Rk,p}$	[kN]	5	9	12	20
Increasing factor for $N_{Rk,p} = \psi_c \cdot N_{Rk,p}$ (C20/25)	ψ_c	[-]	$\left(\frac{f_{ck}}{20}\right)^{0,5}$			
Concrete cone failure						
Effective anchorage depth	h_{ef}	[mm]	45	58	65	80
Factor for cracked concrete	$k_1 = k_{cr,N}$	[-]	7,7			

SIKLA Wedge Anchor AN BZ-IG

Performance
Characteristic values for tension loads, AN BZ-IG, cracked concrete, static and quasi-static action

Annex C11

Table C12: Characteristic values for tension loads, AN BZ-IG, uncracked concrete, static and quasi-static action

Fastener size			M6	M8	M10	M12
Installation factor	γ_{inst}	[-]	1,2			
Steel failure						
Characteristic resistance, steel zinc plated	$N_{RK,s}$	[kN]	16,1	22,6	26,0	56,6
Partial factor	γ_{Ms}	[-]	1,5			
Characteristic resistance, stainless steel A4, HCR	$N_{RK,s}$	[kN]	14,1	25,6	35,8	59,0
Partial factor	γ_{Ms}	[-]	1,87			
Pull-out						
Characteristic resistance in uncracked concrete C20/25	$N_{RK,p}$	[kN]	12	16	20	30
Splitting (the higher resistance of Case 1 and Case 2 may be applied)						
Minimum thickness of concrete member	h_{min}	[mm]	100	120	130	160
Case 1						
Characteristic resistance in uncracked concrete C20/25	$N^0_{RK,sp}$	[kN]	9	12	16	25
Edge distance	$c_{cr,sp}$	[mm]	$1,5 h_{ef}$			
Case 2						
Characteristic resistance in uncracked concrete C20/25	$N^0_{RK,sp}$	[kN]	12	16	20	30
Edge distance	$c_{cr,sp}$	[mm]	$2,5 h_{ef}$			
Increasing factor for $N_{RK,p} = \psi_c \cdot N_{RK,p} (C20/25)$ $N^0_{RK,sp} = \psi_c \cdot N^0_{RK,sp} (C20/25)$	ψ_c	[-]	$\left(\frac{f_{ck}}{20}\right)^{0,5}$			
Concrete cone failure						
Effective anchorage depth	h_{ef}	[mm]	45	58	65	80
Factor for uncracked concrete	$k_1 = k_{ucr,N}$	[-]	11,0			

SIKLA Wedge Anchor AN BZ-IG

Performance

Characteristic values for tension loads, AN BZ-IG, uncracked concrete, static and quasi-static action

Annex C12

Table C13: Characteristic values for shear loads, AN BZ-IG, cracked and uncracked concrete, static and quasi-static action

Fastener size		M6	M8	M10	M12
Installation factor	γ_{inst} [-]	1,0			
BZ-IG, steel zinc plated					
Steel failure without lever arm, pre-setting installation					
Characteristic resistance	$V_{RK,s}^0$ [kN]	5,8	6,9	10,4	25,8
Steel failure without lever arm, through-setting installation					
Characteristic resistance	$V_{RK,s}^0$ [kN]	5,1	7,6	10,8	24,3
Steel failure with lever arm, pre-setting installation					
Characteristic bending resistance	$M_{RK,s}^0$ [Nm]	12,2	30,0	59,8	104,6
Steel failure with lever arm, through-setting installation					
Characteristic bending resistance	$M_{RK,s}^0$ [Nm]	36,0	53,2	76,0	207
Partial factor for $V_{RK,s}$ and $M_{RK,s}^0$	γ_{Ms} [-]	1,25			
Ductility factor	k_7 [-]	1,0			
BZ-IG, stainless steel A4, HCR					
Steel failure without lever arm, pre-setting installation					
Characteristic resistance	$V_{RK,s}^0$ [kN]	5,7	9,2	10,6	23,6
Partial factor	γ_{Ms} [-]	1,25			
Steel failure without lever arm, through-setting installation					
Characteristic resistance	$V_{RK,s}^0$ [kN]	7,3	7,6	9,7	29,6
Partial factor	γ_{Ms} [-]	1,25			
Steel failure with lever arm, pre-setting installation					
Characteristic bending resistance	$M_{RK,s}^0$ [Nm]	10,7	26,2	52,3	91,6
Partial factor	γ_{Ms} [-]	1,56			
Steel failure with lever arm, through-setting installation					
Characteristic bending resistance	$M_{RK,s}^0$ [Nm]	28,2	44,3	69,9	191,2
Partial factor	γ_{Ms} [-]	1,25			
Ductility factor	k_7 [-]	1,0			
Concrete pry-out failure					
Pry-out factor	k_8 [-]	1,5	1,5	2,0	2,0
Concrete edge failure					
Effective length of fastener in shear loading	l_f [mm]	45	58	65	80
Effective diameter of fastener	d_{nom} [mm]	8	10	12	16

SIKLA Wedge Anchor AN BZ-IG

Performance
Characteristic values for shear loads, AN BZ-IG,
cracked and uncracked concrete, static and quasi-static action

Annex C13

Table C14: Characteristic values for tension and shear load under fire exposure, AN BZ-IG, cracked and uncracked concrete C20/25 to C50/60

Fastener size		M6	M8	M10	M12	
Tension load						
Steel failure						
Steel zinc plated						
Characteristic resistance	R30	$N_{Rk,s,fi}$ [kN]	0,7	1,4	2,5	3,7
	R60		0,6	1,2	2,0	2,9
	R90		0,5	0,9	1,5	2,2
	R120		0,4	0,8	1,3	1,8
Stainless steel A4, HCR						
Characteristic resistance	R30	$N_{Rk,s,fi}$ [kN]	2,9	5,4	8,7	12,6
	R60		1,9	3,8	6,3	9,2
	R90		1,0	2,1	3,9	5,7
	R120		0,5	1,3	2,7	4,0
Shear load						
Steel failure without lever arm						
Steel zinc plated						
Characteristic resistance	R30	$V_{Rk,s,fi}$ [kN]	0,7	1,4	2,5	3,7
	R60		0,6	1,2	2,0	2,9
	R90		0,5	0,9	1,5	2,2
	R120		0,4	0,8	1,3	1,8
Stainless steel A4, HCR						
Characteristic resistance	R30	$V_{Rk,s,fi}$ [kN]	2,9	5,4	8,7	12,6
	R60		1,9	3,8	6,3	9,2
	R90		1,0	2,1	3,9	5,7
	R120		0,5	1,3	2,7	4,0
Steel failure with lever arm						
Steel zinc plated						
Characteristic resistance	R30	$M^0_{Rk,s,fi}$ [Nm]	0,5	1,4	3,3	5,7
	R60		0,4	1,2	2,6	4,6
	R90		0,4	0,9	2,0	3,4
	R120		0,3	0,8	1,6	2,8
Stainless steel A4, HCR						
Characteristic resistance	R30	$M^0_{Rk,s,fi}$ [Nm]	2,2	5,5	11,2	19,6
	R60		1,5	3,9	8,1	14,3
	R90		0,7	2,2	5,1	8,9
	R120		0,4	1,3	3,5	6,2

SIKLA Wedge Anchor AN BZ-IG

Performance

Characteristic values for **tension** and **shear loads** under fire exposure, **AN BZ-IG** cracked and uncracked concrete C20/25 to C50/60

Annex C14

Table C15: Displacements under tension load, AN BZ-IG

Fastener size			M6	M8	M10	M12
Tension load in cracked concrete	N	[kN]	2,0	3,6	4,8	8,0
Displacements	δ_{N0}	[mm]	0,6	0,6	0,8	1,0
	$\delta_{N\infty}$	[mm]	0,8	0,8	1,2	1,4
Tension load in uncracked concrete	N	[kN]	4,8	6,4	8,0	12,0
Displacements	δ_{N0}	[mm]	0,4	0,5	0,7	0,8
	$\delta_{N\infty}$	[mm]	0,8	0,8	1,2	1,4

Table C16: Displacements under shear load, AN BZ-IG

Fastener size			M6	M8	M10	M12
Shear load in cracked and uncracked concrete	V	[kN]	4,2	5,3	6,2	16,9
Displacements	δ_{V0}	[mm]	2,8	2,9	2,5	3,6
	$\delta_{V\infty}$	[mm]	4,2	4,4	3,8	5,3

SIKLA Wedge Anchor AN BZ-IG

Performance
Displacements under tension load and under shear load **AN BZ-IG**

Annex C15