

Approval body for construction products  
and types of construction

Bautechnisches Prüfamt

An institution established by the Federal and  
Laender Governments



## European Technical Assessment

ETA-10/0257  
of 23 November 2021

English translation prepared by DIBt - Original version in German language

### General Part

Technical Assessment Body issuing the  
European Technical Assessment:

Deutsches Institut für Bautechnik

Trade name of the construction product

SIKLA Drop-in Anchor AN / AN ES

Product family  
to which the construction product belongs

Mechanical fastener for use in concrete

Manufacturer

Sikla Holding GmbH  
Kornstraße 4  
4614 MARCHTRENK  
ÖSTERREICH

Manufacturing plant

Sikla Herstellwerk 1

This European Technical Assessment  
contains

16 pages including 3 annexes which form an integral part  
of this assessment

This European Technical Assessment is  
issued in accordance with Regulation (EU)  
No 305/2011, on the basis of

EAD 330232-01-0601, Edition 05/2021

This version replaces

ETA-10/0257 issued on 2 February 2016

The European Technical Assessment is issued by the Technical Assessment Body in its official language. Translations of this European Technical Assessment in other languages shall fully correspond to the original issued document and shall be identified as such.

Communication of this European Technical Assessment, including transmission by electronic means, shall be in full. However, partial reproduction may only be made with the written consent of the issuing Technical Assessment Body. Any partial reproduction shall be identified as such.

This European Technical Assessment may be withdrawn by the issuing Technical Assessment Body, in particular pursuant to information by the Commission in accordance with Article 25(3) of Regulation (EU) No 305/2011.

**Specific Part**

**1 Technical description of the product**

The SIKLA Drop-in Anchor AN / AN ES is a fastener made of galvanized steel, stainless steel or high corrosion resistant steel which is placed into a drilled hole and anchored by deformation-controlled expansion.  
 The product description is given in Annex A.

**2 Specification of the intended use in accordance with the applicable European Assessment Document**

The performances given in Section 3 are only valid if the anchor is used in compliance with the specifications and conditions given in Annex B.  
 The verifications and assessment methods on which this European Technical Assessment is based lead to the assumption of a working life of the anchor of at least 50 years. The indications given on the working life cannot be interpreted as a guarantee given by the producer, but are to be regarded only as a means for choosing the right products in relation to the expected economically reasonable working life of the works.

**3 Performance of the product and references to the methods used for its assessment**

**3.1 Mechanical resistance and stability (BWR 1)**

Essential characteristic	Performance
Characteristic resistance to tension load (static and quasi-static loading) Method A	See Annex B2, C1 to C2
Characteristic resistance to shear load (static and quasi-static loading)	See Annex C3 to C4
Displacements	See Annex C5
Characteristic resistance and displacements for seismic performance category C1 and C2	No performance assessed

**3.2 Safety in case of fire (BWR 2)**

Essential characteristic	Performance
Reaction to fire	Class A1
Resistance to fire	No performance assessed

**3.3 Aspects of durability linked with the Basic Works Requirements**

Essential characteristic	Performance
Durability	See Annex B1

English translation prepared by DIBt

**4 Assessment and verification of constancy of performance (AVCP) system applied, with reference to its legal base**

In accordance with the European Assessment Document EAD 330232-01-0601 the applicable European legal act is: [96/582/EC].

The system to be applied is: 1

**5 Technical details necessary for the implementation of the AVCP system, as provided for in the applicable EAD**









Technical details necessary for the implementation of the AVCP system are laid down in the control plan deposited with Deutsches Institut für Bautechnik.

Issued in Berlin on 23 November 2021 by Deutsches Institut für Bautechnik

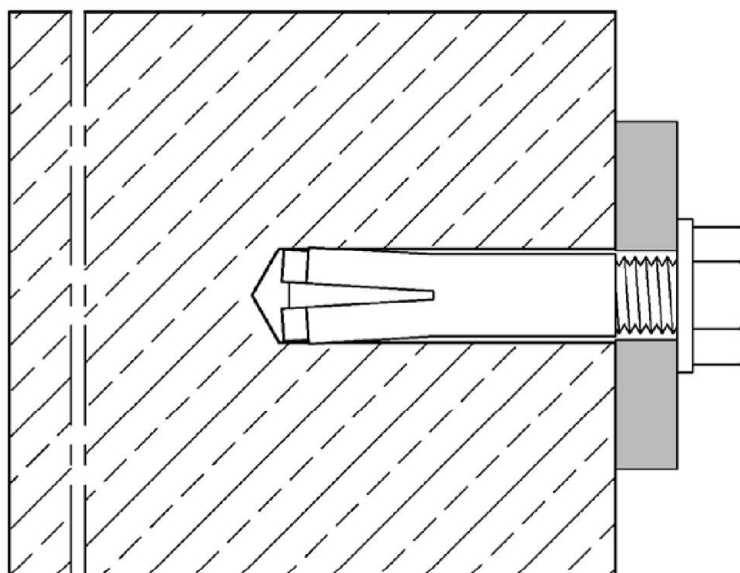
Dipl.-Ing. Beatrix Wittstock  
Head of Section

*beglaubigt:*  
Baderschneider

## SIKLA Drop-in Anchor AN / AN ES

Anchor sizes and variations			
Drop-in Anchor AN (without shoulder)		Drop-in Anchor AN / ES (with shoulder)	
AN M6x30			AN ES M6x30
AN M8x30			AN ES M8x30
AN M8x40			AN ES M8x40
AN M10x40			AN ES M10x30 (zinc plated)
AN M12x50			AN ES M10x40
AN M12x80			AN ES M12x50
AN M16x65			AN ES M12x80
AN M16x80			AN ES M16x65
AN M20x80			AN ES M16x80

## Installation situation



## SIKLA Drop-in Anchor AN / AN ES

### Product description

Anchor sizes and variations / Installation situation

Annex A1

**Table A1: Material**

Part	Designation	Steel, zinc plated	Stainless steel A4	High corrosion resistant steel HCR
1	Anchor sleeve	Cold formed or machining steel, galvanized, EN ISO 4042:2018	Stainless steel (e.g. 1.4401, 1.4404, 1.4571) EN 10088:2014, EN ISO 3506:2020	Stainless steel, 1.4529, 1.4565, EN 10088:2014, EN ISO 3506:2020
2	Cone	Cold formed or machining steel	Stainless steel (e.g. 1.4401, 1.4404, 1.4571) EN 10088:2014	

**Requirements on the fastening screw or the threaded rod and nut according to the engineering documents:**

- Minimum screw-in depth  $L_{smin}$  see Table B1
- The length of screw or the threaded rod shall be determined depending on the thickness of fixture  $t_{fix}$ , available thread length  $L_{th}$  (= maximum screw-in depth) and the minimum screw-in depth  $L_{smin}$ .
- $A_5 > 8\%$  Ductility
- Materials
  - **Steel, zinc plated**, property class 4.6 / 4.8 / 5.6 / 5.8 or 8.8 according to EN ISO 898-1:2013 or EN ISO 898-2:2012
  - **Stainless steel A4** or **high corrosion resistant steel HCR**, property class 70 or 80 according to EN ISO 3506:2020

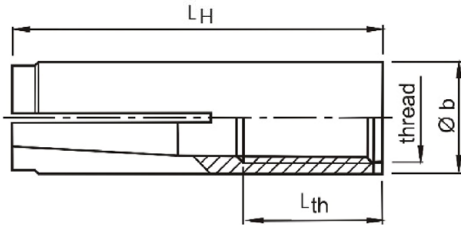
**SIKLA Drop-in Anchor AN / AN ES**

**Product description**  
Materials / Requirements

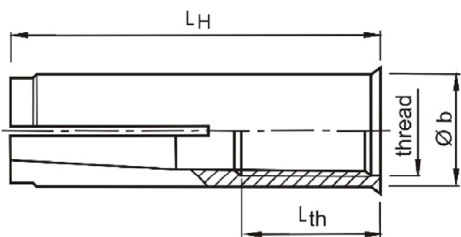
**Annex A2**

## Anchor sleeve

### Anchor version without shoulder (AN)



### Anchor version with shoulder (AN ES)



**Marking:** see Table A2

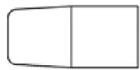
e.g.:  $\diamond$  E M8x40

- $\diamond$  identifying mark of manufacturing plant
- E anchor identity (version without shoulder)
- ES anchor identity (version with shoulder)
- M8 size of thread
- 40 anchorage depth

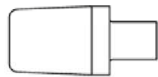
additional marking

- A4 stainless steel
- HCR high corrosion resistant steel

### Cone


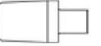




M6x30 and M10x30



remaining sizes

**Table A2: Dimensions and marking**

Anchor size	Anchor sleeve				Marking			Cone
	thread	Ø b	L <sub>H</sub>	L <sub>th</sub>	Version AN (without sleeve)	Version AN ES (with sleeve)	alternative	
M6x30	M6	8	30	13	$\diamond$ E M6x30	$\diamond$ ES M6x30	$\diamond$ E M6	
M8x30	M8	10	30	13	$\diamond$ E M8x30	$\diamond$ ES M8x30	$\diamond$ E M8	
M8x40	M8	10	40	20	$\diamond$ E M8x40	$\diamond$ ES M8x40	$\diamond$ E M8x40	
M10x30	M10	12	30	12	-	$\diamond$ ES M10x30	$\diamond$ E M10x30	
M10x40	M10	12	40	15	$\diamond$ E M10x40	$\diamond$ ES M10x40	$\diamond$ E M10	
M12x50	M12	15	50	18	$\diamond$ E M12x50	$\diamond$ ES M12x50	$\diamond$ E M12	
M12x80	M12	15	80	45	$\diamond$ E M12x80	$\diamond$ ES M12x80	$\diamond$ E M12x80	
M16x65	M16	19,7	65	23	$\diamond$ E M16x65	$\diamond$ ES M16x65	$\diamond$ E M16	
M16x80	M16	19,7	80	38	$\diamond$ E M16x80	$\diamond$ ES M16x80	$\diamond$ E M16x80	
M20x80	M20	24,7	80	34	$\diamond$ E M20x80	-	$\diamond$ E M20	

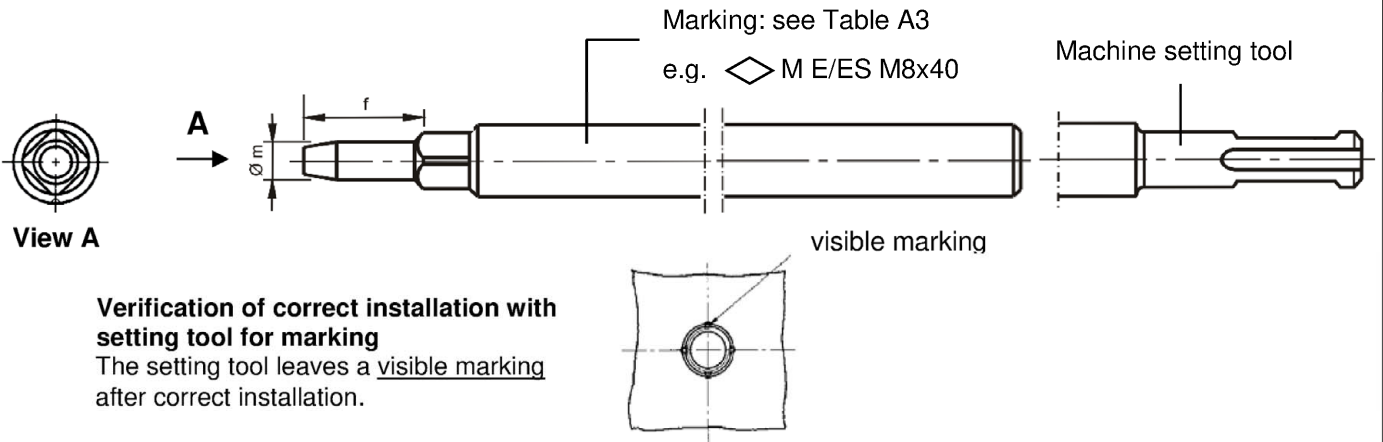
Dimensions in mm

## SIKLA Drop-in Anchor AN / AN ES

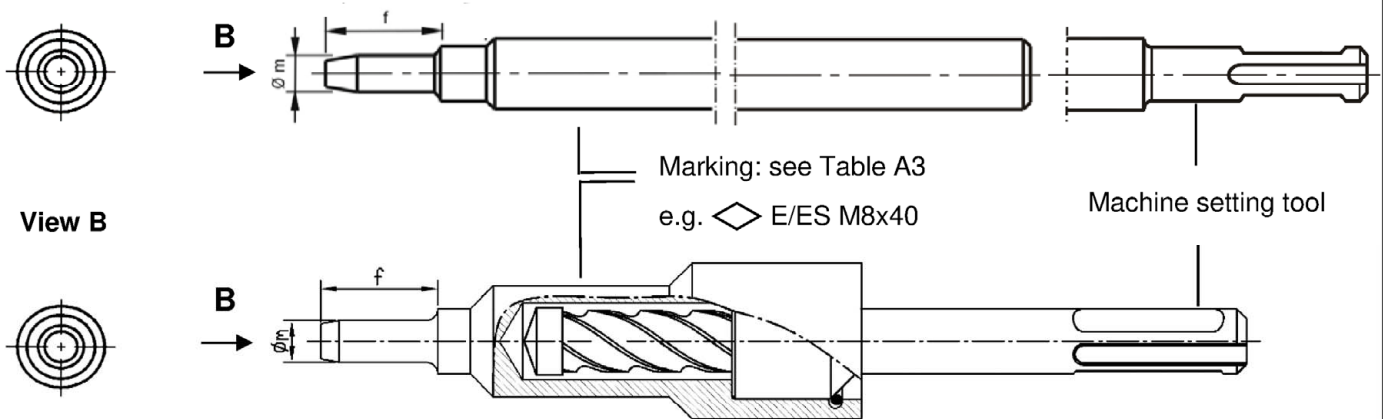
**Product description**  
Dimensions and marking

**Annex A3**

### Setting tool for marking



### Setting tool



**Table A3: Dimensions and marking of setting tools**

Anchor size	$\varnothing m$	f	Setting tool for marking		Setting tool	
			Marking	alternative	Marking	alternative
M6x30	4,9	17	$\diamond M E/ES M6x30$	$\diamond M E M6$	$\diamond E/ES M6x30$	$\diamond E M6$
M8x30	6,4	18	$\diamond M E/ES M8x30$	$\diamond M E M8$	$\diamond E/ES M8x30$	$\diamond E M8$
M8x40	6,4	28	$\diamond M E/ES M8x40$	$\diamond M E M8x40$	$\diamond E/ES M8x40$	$\diamond E M8x40$
M10x30	8,0	18	$\diamond M ES M10x30$	$\diamond M E M10x30$	$\diamond ES M10x30$	$\diamond E M10x30$
M10x40	8,0	24	$\diamond M E/ES M10x40$	$\diamond M E M10$	$\diamond E/ES M10x40$	$\diamond E M10$
M12x50	10,0	30	$\diamond M E/ES M12x50$	$\diamond M E M12$	$\diamond E/ES M12x50$	$\diamond E M12$
M12x80	10,0	60	$\diamond M E/ES M12x80$	$\diamond M E M12x80$	$\diamond E/ES M12x80$	$\diamond E M12x80$
M16x65	13,5	36	$\diamond M E/ES M16x65$	$\diamond M E M16$	$\diamond E/ES M16x65$	$\diamond E M16$
M16x80	13,5	51	$\diamond M E/ES M16x80$	$\diamond M E M16x80$	$\diamond E/ES M16x80$	$\diamond E M16x80$
M20x80	16,5	50	$\diamond M E M20x80$	$\diamond M E M20$	$\diamond E M20x80$	$\diamond E M20$

Dimensions in mm

### SIKLA Drop-in Anchor AN / AN ES

**Product description**  
Setting tools / Dimensions and marking

**Annex A4**



## Specifications of intended use

### Anchorage subject to:

- Static and quasi-static loads

### Base materials:

- Compacted, reinforced or unreinforced normal weight concrete, without fibres according to EN 206:2013 + A1:2016
- Uncracked concrete
- Strength classes C20/25 to C50/60 according to EN 206:2013 + A1:2016

### Use conditions (Environmental conditions):

- Structures subject to dry internal conditions (all materials)
- For all other conditions applies:  
Use according to EN 1993-1-4:2015 corresponding to corrosion resistance class CRC according to Annex A2, Table A1:
  - Stainless steel A4: CRC III
  - High corrosion resistant steel HCR: CRC V
- Anchor types M6x30 A4 and M8x30 A4 only for dry internal exposure

### Design:

- Anchorages are designed under the responsibility of an engineer experienced in anchorages and concrete work.
- Verifiable calculation notes and drawings are prepared taking account of the loads to be anchored. The position of the anchor is indicated on the design drawings (e.g. position of the anchor relative to reinforcement or to supports, etc.).
- The strength class and the length of the fastening screw or threaded rod shall be defined by the designing engineer
- Design of fastenings according EN 1992-4:2018 (and TR 055, Edition February 2018, if necessary)
- Anchor sizes M6x30, M8x30 and M10x30 for statically indeterminate structural components only, when in case of failure, the load can be distributed to other fasteners.

### Installation:

- Anchor installation in accordance with the manufacturer's specifications and drawings and using the appropriate tools
- Drill hole by hammer drilling or vacuum drilling

## SIKLA Drop-in Anchor AN / AN ES

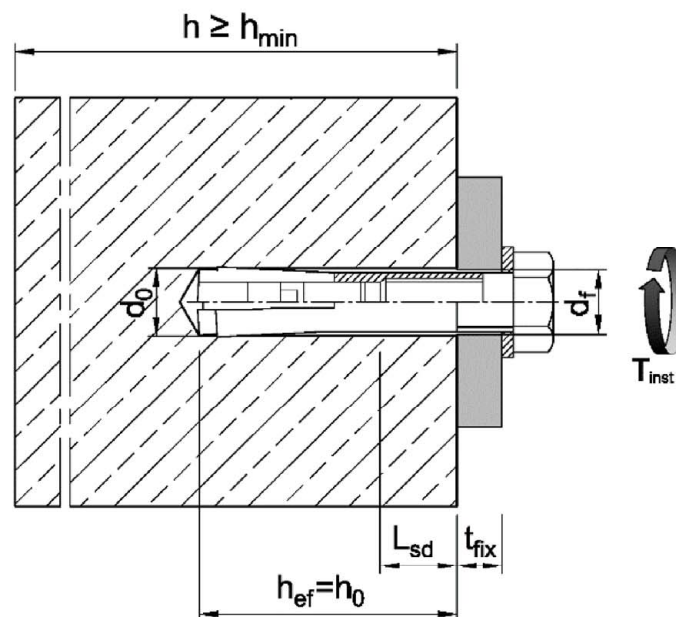
Intended use  
Specifications

Annex B1

**Table B1: Installation parameters**

Anchor size		M6x30	M8x30	M8x40	M10x30	M10x40	M12x50	M12x80	M16x65	M16x80	M20x80
Depth of drill hole	$h_0 =$ [mm]	30	30	40	30	40	50	80	65	80	80
Drill hole diameter	$d_0 =$ [mm]	8	10	10	12	12	15	15	20	20	25
Cutting diameter of drill bit	$d_{cut} \leq$ [mm]	8,45	10,45	10,45	12,5	12,5	15,5	15,5	20,55	20,55	25,55
Max. installation torque <sup>1)</sup>	$T_{inst} \leq$ [Nm]	4	8	8	15	15	35	35	60	60	120
Diameter of clearance hole in the fixture	$d_f \leq$ [mm]	7	9	9	12	12	14	14	18	18	22
Thread length	$L_{th}$ [mm]	13	13	20	12	15	18	45	23	38	34
Minimum screw-in depth	$L_{sdmin}$ [mm]	7	9	9	10	11	13	13	18	18	22
<b>Steel, zinc plated</b>											
Minimum thickness of member	$h_{min}$ [mm]	100	100	100	120	120	130	130	160	160	200
Minimum spacing	$s_{min}$ [mm]	55	60	80	100	100	120	120	150	150	160
Minimum edge distance	$c_{min}$ [mm]	95	95	95	115	135	165	165	200	200	260
<b>Stainless steel A4, HCR</b>											
Minimum thickness of member	$h_{min}$ [mm]	100	100	100	-	130	140	140	160	160	250
Minimum spacing	$s_{min}$ [mm]	50	60	80	-	100	120	120	150	150	160
Minimum edge distance	$c_{min}$ [mm]	80	95	95	-	135	165	165	200	200	260

<sup>1)</sup> If the screw or threaded rod is otherwise secured against unscrewing, the torque can be omitted



**SIKLA Drop-in Anchor AN / AN ES**

**Intended use**  
Installation parameters

**Annex B2**

### Installation instructions

1		<p>Drill hole perpendicular to concrete surface. Using vacuum drill bit proceed with step 3.</p>
2		<p>Blow out dust. Alternatively, vacuum clean down to the bottom of the hole.</p>
3		<p>Drive in anchor.</p>
4		<p>Drive in cone by using setting tool.</p>
5		<p>Shoulder of setting tool must fit on anchor rim.</p>
6		<p>Turn in screw or threaded rod with nut, observe minimum screw-in depth (see Annex B2). Apply installation torque <math>T_{inst}</math>.</p>

### SIKLA Drop-in Anchor AN / AN ES

Intended use  
Installation instructions

Annex B3

**Table C1: Characteristic values for tension loads, zinc plated steel**

Anchor size			M6x30	M8x30	M8x40	M10x30	M10x40	M12x50	M12x80	M16x65 M16x80	M20x80		
Installation factor	$\gamma_{inst}$	[-]	1,2										
<b>Steel failure</b>													
Characteristic resistance	property class	$N_{Rk,s}$ [kN]	4.6	8,0	14,6	23,2		33,7		62,8	98,0		
			4.8	8,0	14,6	18,0	20,2	33,7		62,8	98,0		
			5.6	10,0	18,3		18,0	20,2	42,1		78,3	122,4	
			5.8	10,0	17,6	18,3	18,0	20,2	40,2	42,1	67,1	106,4	
			8.8	15,0	17,6	19,9	18,0	20,2	40,2	43,0	67,1	106,4	
Partial factor	property class	$\gamma_{Ms}^{1)}$ [-]	2,0										
			2,0			1,5		2,0					
			1,5									1,6	
												1,6	
												1,6	
<b>Pull-out failure</b>													
Characteristic resistance in concrete C20/25	$N_{Rk,p}$	[kN]	8,1	8,1	9,0	8,1	12,4	17,4	17,4	25,8	35,2		
Increasing factor $N_{Rk,p} = \psi_c \cdot N_{Rk,p}(C20/25)$	$\psi_c$	[-]	$\left(\frac{f_{ck}}{20}\right)^{0,5}$		$\left(\frac{f_{ck}}{20}\right)^{0,3}$	$\left(\frac{f_{ck}}{20}\right)^{0,5}$							
<b>Splitting</b>													
Characteristic resistance in concrete C20/25	$N^0_{Rk,sp}$	[kN]	min ( $N_{Rk,p}$ ; $N^0_{Rk,c}$ )										
Characteristic edge distance	$C_{cr,sp}$	[mm]	95	95	95	115	135	165		200	260		
Characteristic spacing	$S_{cr,sp}$	[mm]	$2 \cdot C_{cr,sp}$										
<b>Concrete cone failure</b>													
Effective anchorage depth	$h_{ef}$	[mm]	30	30	40	30	40	50	80	65 80 <sup>2)</sup>	80		
Characteristic edge distance	$C_{cr,N}$	[mm]	$1,5 h_{ef}$										
Characteristic spacing	$S_{cr,N}$	[mm]	$2 \cdot C_{cr,N}$										
Factor	uncracked concrete	$k_{ucr,N}$	11,0										
	cracked concrete	$k_{cr,N}$	No performance assessed										

<sup>1)</sup> In absence of other national regulations

<sup>2)</sup> For M16x80

**SIKLA Drop-in Anchor AN / AN ES**

**Performance**  
Characteristic values for **tension loads, zinc plated steel**

**Annex C1**

**Table C2: Characteristic values for tension loads, stainless steel A4, HCR**

Anchor size			M6x30	M8x30	M8x40	M10x40	M12x50 M12x80	M16x65 M16x80	M20x80
Installation factor	$\gamma_{inst}$	[-]	1,0						
<b>Steel failure</b>									
Characteristic resistance (property class 70)	$N_{Rk,s}$	[kN]	14,1	23,3		29,4	50,2	83,8	133,0
Characteristic resistance (property class 80)	$N_{Rk,s}$	[kN]	17,5	23,3		29,4	50,2	83,8	133,0
Partial factor	$\gamma_{Ms}^{1)}$	[-]	1,87						
<b>Pull-out failure</b>									
Characteristic resistance in concrete C20/25	$N_{Rk,p}$	[kN]	8,1	8,1	11,0	12,4	17,4	25,8	35,2
Increasing factor	$\psi_C$	[-]	$\left(\frac{f_{ck}}{20}\right)^{0,5}$		$\left(\frac{f_{ck}}{20}\right)^{0,3}$	$\left(\frac{f_{ck}}{20}\right)^{0,5}$			
<b>Splitting failure</b>									
Characteristic resistance in concrete C20/25	$N^0_{Rk,sp}$	[kN]	min ( $N_{Rk,p}$ ; $N^0_{Rk,c}$ )						
Edge distance	$c_{cr,sp}$	[mm]	80	95	95	135	165	200	260
Spacing	$s_{cr,sp}$	[mm]	$2 \cdot c_{cr,sp}$						
<b>Concrete cone failure</b>									
Effective anchorage depth	$h_{ef}$	[mm]	30	30	40	40	50 80 <sup>2)</sup>	65 80 <sup>2)</sup>	80
Edge distance	$c_{cr,N}$	[mm]	$1,5 h_{ef}$						
Spacing	$s_{cr,N}$	[mm]	$2 \cdot c_{cr,N}$						
Factor	uncracked concrete	$k_{ucr,N}$	11,0						
	cracked concrete	$k_{cr,N}$	No performance assessed						

<sup>1)</sup> In absence of other national regulations

<sup>2)</sup> For M12x80 and M16x80

**SIKLA Drop-in Anchor AN / AN ES**

**Performance**  
Characteristic values for **tension loads, stainless steel A4, HCR**

**Annex C2**

**Table C3: Characteristic values for shear loads, zinc plated steel**

Anchor size				M6x30	M8x30	M8x40	M10x30	M10x40	M12x50	M12x80	M16x65 M16x80	M20x80		
<b>Steel failure without lever arm</b>														
Characteristic resistance	property class	4.6	$V_{Rk,s}^0$ [kN]	4,0	7,3	11,6	9,6	16,8		31,3	49,0			
				4,0	7,3	10,1	10,1	16,9		31,3	49,0			
				5,0	9,1	10,1	9,6	21,1		39,2	61,2			
				5,0	6,9	10,1	7,2	19,4	21,1	33,5	53,2			
				5,0	6,9	10,1	7,2	19,4	21,5	33,5	53,2			
Partial factor	property class	4.6	$\gamma_{Ms}^{1)}$ [-]	1,67										
				1,67			1,25	1,67						
				1,25									1,33	
				5.8		8.8								
				5.8		8.8								
Duktilitätsfaktor			$k_7$	[-]									1,0	
<b>Steel failure with lever arm</b>														
Characteristic bending resistance	property class	4.6	$M_{Rk,s}^0$ [Nm]	6,1	15	30		52		133	259			
				7,6	19	37		65		166	324			
				12	30	59	60	105		266	519			
Partial factor	property class	4.6	$\gamma_{Ms}^{1)}$ [-]	1,67										
				1,25										
				5.8		8.8								
				5.8		8.8								
Factor of ductility			$k_7$	[-]									1,0	
<b>Concrete pry-out failure</b>														
Pry-out factor			$k_8$	[-]					1,0	1,5	2,0			
<b>Concrete edge failure</b>														
Effective length of fastener in shear loading			$l_f$ [mm]	30	30	40	30	40	50	80	65 80 <sup>2)</sup>	80		
Outside diameter of fastener			$d_{nom}$ [mm]	8	10		12		15		20	25		

<sup>1)</sup> In absence of other national regulations

<sup>2)</sup> For M16x80

**SIKLA Drop-in Anchor AN / AN ES**

**Performance**  
Characteristic values for **shear loads, zinc plated steel**

**Annex C3**

**Table C4: Characteristic values for shear loads, stainless steel A4, HCR**

Anchor size		M6x30	M8x30	M8x40	M10x40	M12x50	M12x80	M16x65	M16x80	M20x80
<b>Steel failure without lever arm</b>										
Characteristic resistance (property class 70)	$V_{Rk,s}^0$ [kN]	7,0	10,6	13,4	25,1	41,9	66,5			
Characteristic resistance (property class 80)	$V_{Rk,s}^0$ [kN]	8,7	10,6	13,4	25,1	41,9	66,5			
Partial factor	$\gamma_{Ms}^{1)}$ [-]	1,56								
Factor of ductility	$k_7$ [-]	1,0								
<b>Steel failure with lever arm</b>										
Characteristic bending resistance (property class 70)	$M_{Rk,s}^0$ [Nm]	11	26	52	92	233	454			
Partial factor	$\gamma_{Ms}^{1)}$ [-]	1,56								
Characteristic bending resistance (property class 80)	$M_{Rk,s}^0$ [Nm]	12	30	60	105	266	519			
Partial factor	$\gamma_{Ms}^{1)}$ [-]	1,33								
Factor of ductility	$k_7$ [-]	1,0								
<b>Concrete pry-out failure</b>										
Pry-out factor	$k_8$ [-]	1,0	1,7			2,0				
<b>Concrete edge failure</b>										
Effective length of fastener in shear loading	$l_f$ [mm]	30	30	40	40	50	80	65	80	80
Outside diameter of fastener	$d_{nom}$ [mm]	8	10	12	15	20	25			

<sup>1)</sup> In absence of other national regulations

**SIKLA Drop-in Anchor AN / AN ES**

**Performance**  
Characteristic values for **shear loads, stainless steel A4, HCR**

**Annex C4**

**Table C5: Displacements under tension loads**

Anchor size			M6x30	M8x30	M8x40	M10x30	M10x40	M12x50 M12x80	M16x65 M16x80	M20x80
<b>Steel, zinc plated</b>										
Tension load in uncracked concrete	N	[kN]	3	3	3,6	3,3	4,8	6,4	10	14,8
Displacements	$\delta_{N0}$	[mm]	0,24							
	$\delta_{N\infty}$	[mm]	0,36							
<b>Stainless steel A4 / HCR</b>										
Tension load in uncracked concrete	N	[kN]	4	4	4,3	- <sup>1)</sup>	6,1	8,5	12,6	17,2
Displacements	$\delta_{N0}$	[mm]	0,12							
	$\delta_{N\infty}$	[mm]	0,24							

<sup>1)</sup> Anchor version is not part of the ETA

**Table C6: Displacements under shear loads**

Anchor size			M6x30	M8x30	M8x40	M10x30	M10x40	M12x50 M12x80	M16x65 M16x80	M20x80
<b>Steel, zinc plated</b>										
Shear load in uncracked concrete	V	[kN]	2	4	4	5,7	4,0	11,3	18,8	32,2
Displacements	$\delta_{V0}$	[mm]	0,9	0,9	1,0	1,5	0,6	1,2	1,2	1,6
	$\delta_{V\infty}$	[mm]	1,3	1,3	1,5	2,3	0,9	1,9	1,9	2,4
<b>Stainless steel A4 / HCR</b>										
Shear load in uncracked concrete	V	[kN]	3,5	5,2	5,2	- <sup>1)</sup>	6,5	11,5	19,2	30,4
Displacements	$\delta_{V0}$	[mm]	1,9	1,1	0,7	- <sup>1)</sup>	1,0	1,7	2,4	2,6
	$\delta_{V\infty}$	[mm]	2,8	1,6	1,0	- <sup>1)</sup>	1,5	2,6	3,6	3,8

<sup>1)</sup> Anchor version is not part of the ETA

**SIKLA Drop-in Anchor AN / AN ES**

Performance  
Displacements

**Annex C5**