

sikla

Choose Innovation and
Dual Safety!



Re-Design Simotec Pipe Shoes

Highly flexible due to the modular assembly system!



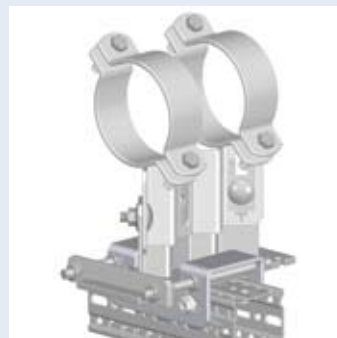
The Sliding Support is the base unit, and thus the heart of our modular system



... upgraded with a guide set suiting the respective beam, it becomes a Guided Support as fast as lightning.



... alternatively upgraded with a beam-size-matching Fixed Point Set it becomes a Fixed Point.



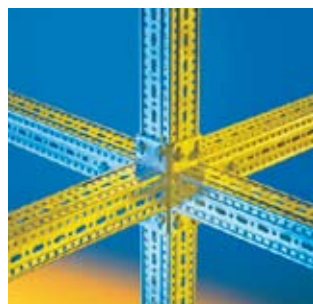
Your advantages!

- ◆ Benefit from simplified stock logistics. The combination Slide Support + Set allows to build either a Guided Support or a Fixed Point, according to the requirements.
- ◆ Guided and fixed point sets are available for all common beam sizes e.g. Framo 80, STF 120, as well as for normed profiles.
- ◆ Higher loads and simple height adjustment by means of the innovative design.
- ◆ The complete modular system is integrated as a sub-library into all current software-planning aides.

It's worth
to take a closer look!
It's worth to take a closer look!



Flexibility and simple application – all in one!



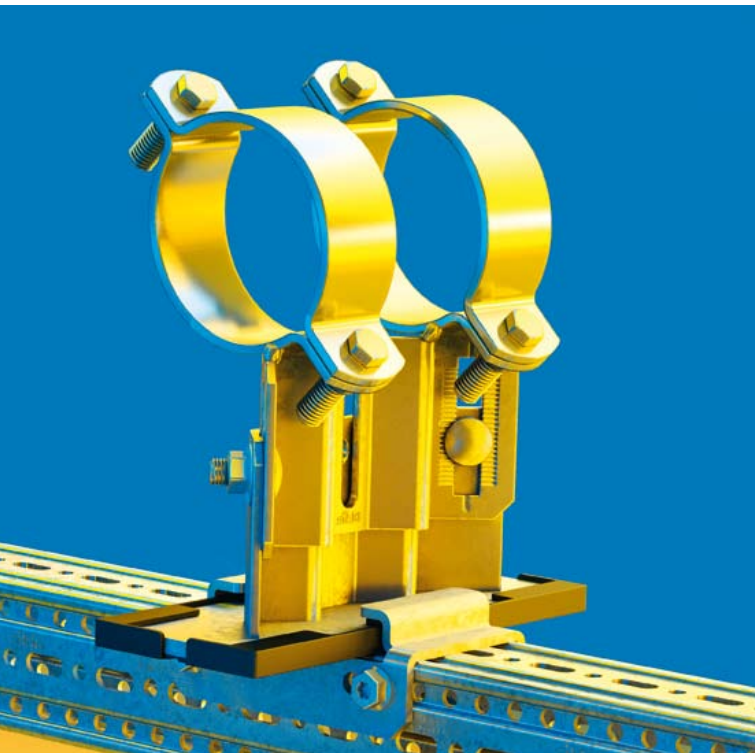
Best possible reliability and safety!

For the first time, there is a closed support system consisting of pipe shoes and the supporting structures (Framo 80), proved and documented by a third party in its entirety.



Re-Design Simotec Pipe Shoes

High flexibility – simple application – maximum safety!



LGA tested certificate
for tested and monitored
safety and quality.

Sikla Export & Overseas Department
In der Lache 17
D-78056 VS-Schwenningen
Tel. +49 7720 948 453
Fax +49 7720 948 353

www.sikla.com